



**Big Valley**  
Wood Products, LLC  
*Specializing in Dovetail Drawer Boxes*





# Table of Contents

About Our Company	5
Standard Drawer Box Specifications	7
Drawer Box Options	
Drawer Front	8
Hand Pull	8
Front Side Extensions	9
Scalloped/Range Sides	9
Custom Drawer Boxes	
U-Shape Drawer	11
Corner Drawer	11
Trash Can Drawer	12
Bread Drawers	12
File Drawers	13
Drawer Inserts	
Cutlery Tray Inserts	15
Sliding Cutlery Tray	15
Knife Block Styles	16
Spice Tray	17
Plate Rack	17
Cutlery Adjustable Dividers	17
Pull Out Design (POD) Design	18
Shelf Guards	20
PODs A - G	21-30
Tall PODs A - C	31-33
Door Mount	34
Additional Order Forms	
U-Shape Drawer	35
Paper Towel Drawer	36
Scalloped Sides	37
Range Scalloped Sides	38
Trash Can Drawer	39
Customized Items	40
Available Hardware	41
Policies & Procedures	42





*Located in the heart  
of Central Pennsylvania*



## *Our Company*

Big Valley Wood Products (BVWP), located in the heart of Central PA, has been manufacturing dovetail drawer boxes since July 2006, after purchasing an already-established business from a local company.

## *Superior Quality*

At BVWP, we take pride in our handcrafted, superior quality dovetail drawer boxes. There are many options and species of wood available, which allows our skilled craftsmen to customize the boxes to meet the needs of those in the cabinet and furniture industries.

## *State-of-the-Art Equipment*

Our CNC Dovetailing machine ensures that the order you place will be made accurately and precisely to your specifications. We are equipped to handle large capacity customers while still maintaining that small personal touch. Each drawer is made to order and no order is too large or too small!

## *Customer Service*

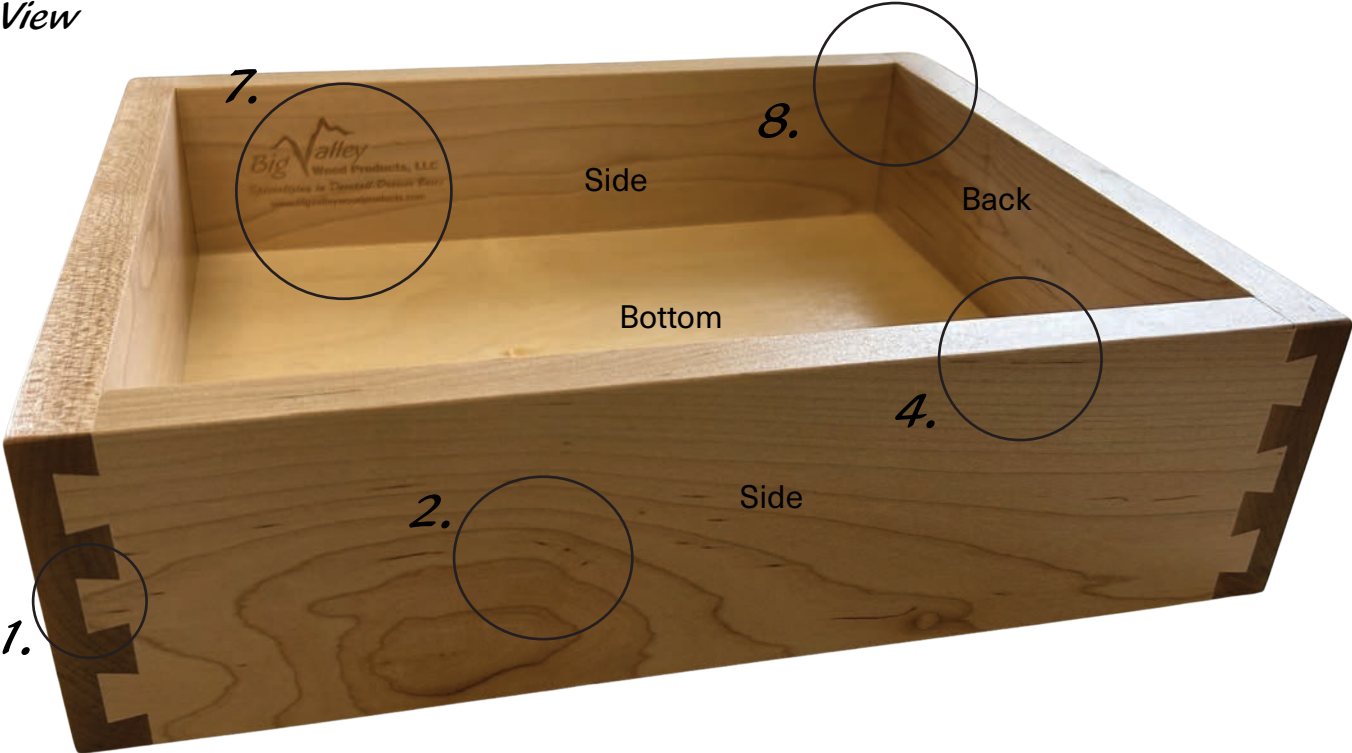
You can expect good service, competitive prices and timely delivery from BVWP. We also offer volume discounts to qualifying customers.

## *Commitment*

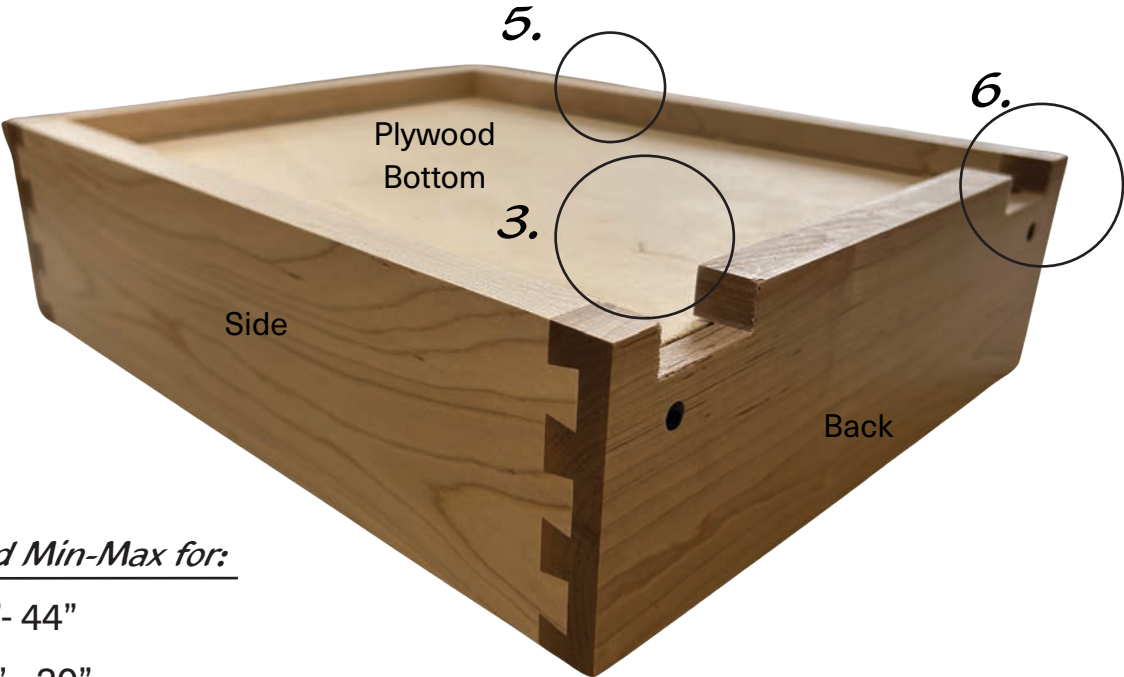
We are committed to serving you and your customer's drawer box needs. Let us show you how Big Valley Wood Products can save you time, money and resources as we become your #1 source for top quality dovetail drawer boxes. Contact us today for a quote. We look forward to serving you!

# Standard Drawer Box Specifications

Top View



Bottom View



Suggested Min-Max for:

Width: 5" - 44"

Depth: 9" - 30"

Height: 2" - 16" (1/8" increments)

# Standard Drawer Box Specifications

## 1: Dovetail Type

- Half Blind Dovetails \*\*

#S1: 5/8" thick \*\*

#S2: 1/2" thick

#S3: 3/4" thick

- Hand-Cut Dovetails

#HC1: 5/8" thick

#HC2: 1/2" thick

- Through Dovetails

#TD1: 5/8" thick

#TD2: 1/2" thick

## 2: Wood Species

<b>Stock</b>	<b>Economy</b>
- Poplar	- 1/2" White
- Beech	Melamine
- Soft Maple	
- Hard Maple	

### **Limited Stock (Call for Lead Time)**

- Cherry	- Walnut
- Red Oak	- Polymer
- White Oak	

## 3: Drawer Bottoms

B/BB Baltic Birch routed into all 4 sides. Birch is CARB II compliant. Fastened with 1/4" crown staples.

#DB1: 1/4" thick \*\*

#DB2: 3/8" thick

#DB3: 1/2" thick

(other species available)

## 4: Top Edge Profiles

#TE1: Square

#TE2: Eased \*\*

#TE3: 1/8" Eased Radius

#TE4: 1/4" Eased Radius

## 5: Bottom Inset

Measured from bottom of sides to bottom of plywood.

#BR1: 1/4"

#BR2: 3/8"

#BR3: 1/2" \*\*

#BR4: 0" (flush)

#BR5: Bottom Mount

## 6: Notching

Standard: 1/2" deep with 1/4" guide hole

#N1: 1 3/8" \*\*

#N2: 2"

#N3: 2 1/16" - 4"

#N4: 4 1/16" - 6"

## 7: Laser Engraving

Inside front left with customer logo \*\*

#LE1: Customer must specify which drawer(s)

- Graphics can be sent via email in eps, jpg, or bitmap file to

sales@bigvalleywoodproducts.com

- Location can be customized

## 8: Finish

Two coats of pre-catalyzed lacquer

#F1: 40 sheen \*\*

#F2: 20 sheen

#F3: Unfinished

\*\* Indicates standard specifications

All drawers can be ordered Assembled or Unassembled

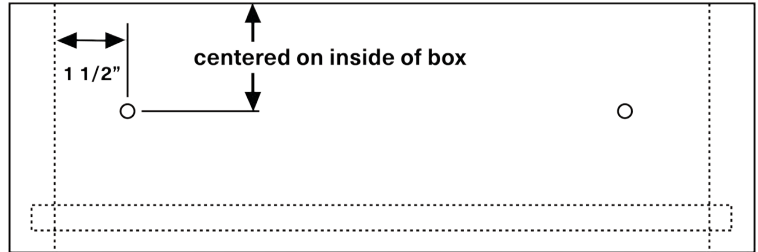


# Drawer Box Options

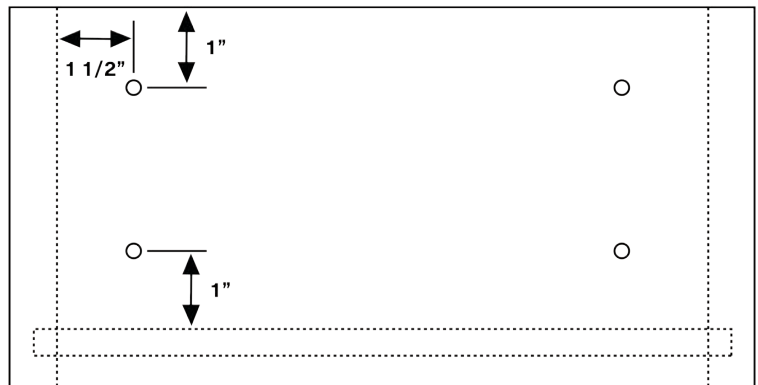
## Drawer Front (Holes)

Standard – 1/4" holes

#DH1: 2 holes for 5" high or less

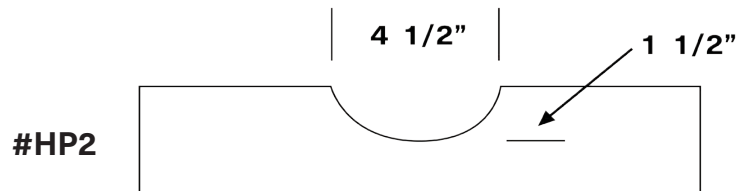
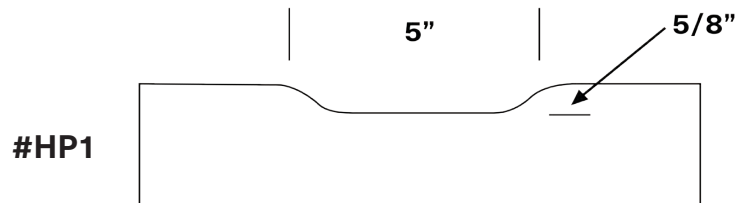


#DH2: 4 holes for 5 1/4" or more



#DH3: Custom (Send Drawing)

## Hand Pull

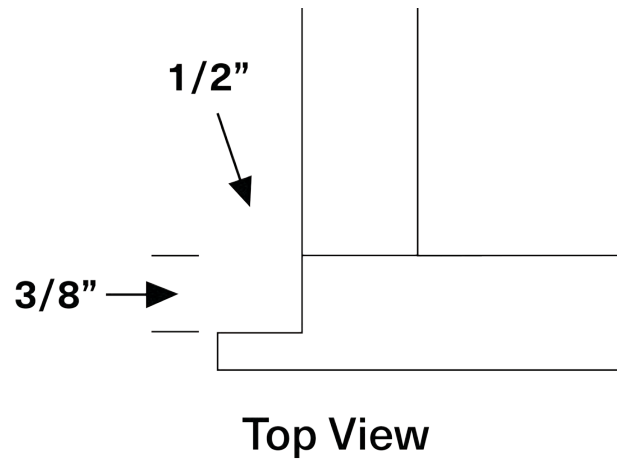


#HP3 Square (4" x 1")

#HP4 Custom

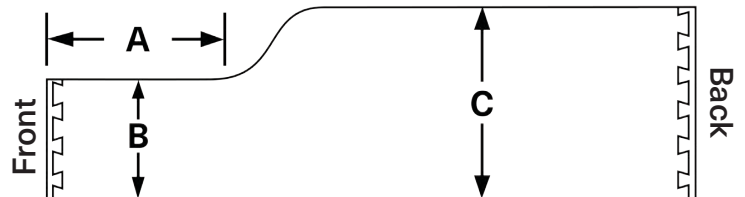
## Front/Bottom Side Extension

- #FSE1: Front is 1" wider than ordered width
- #FSE2: Front is 3/8" wider than ordered width
- #FSE3: Front is 3/8" wider and bottom extension is 1/2" lower than sides
- #FSE4: Custom front or bottom extension



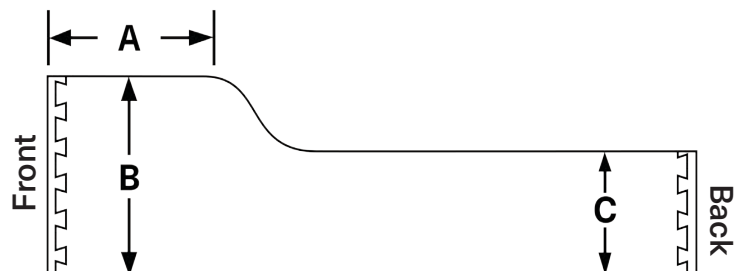
## Scalloped Sides

- #SS1:
  - Constructed as a standard drawer
  - The beginning of the first radius location (A) is at the request of the customer
  - Full height and cut down height is recommended to be the same inch increment
- #SS2: With front side extensions
- #SS3: Custom



## Range Scalloped Sides

- #RS1:
  - Constructed as a standard drawer
  - The beginning of the first radius location (A) is at the request of the customer
  - Full height and cut down height is recommended to be the same inch increment
- #RS2: With front side extensions
- #RS3: Custom





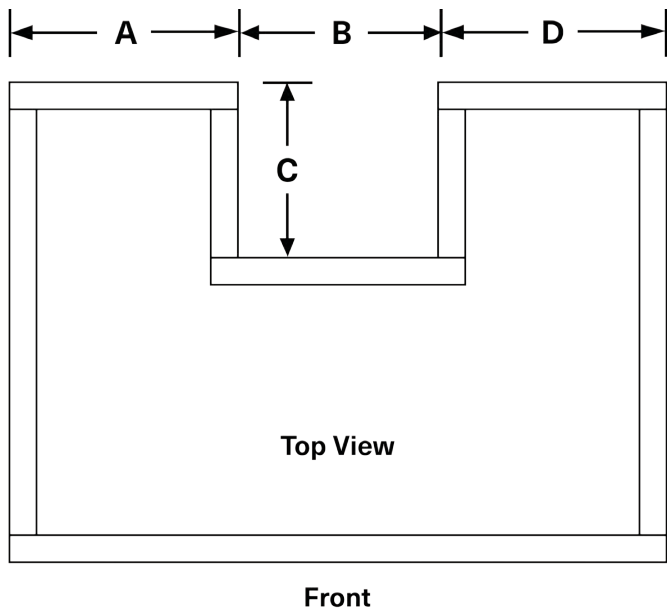


## U-Shape Drawer

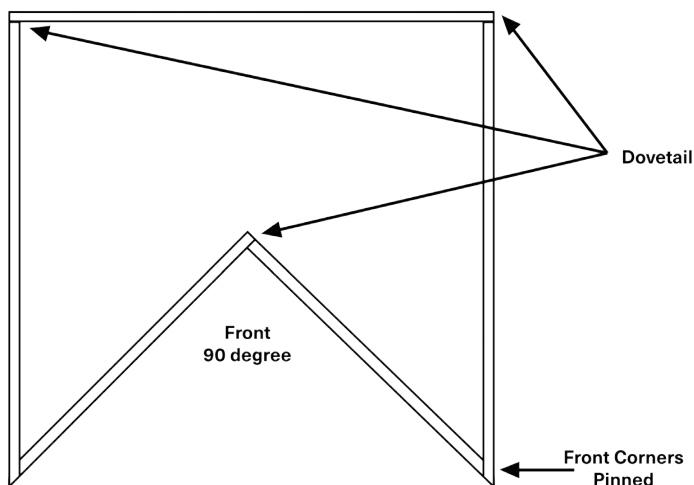
- Designed for around obstacles behind drawer.
- All joints are dovetailed
- Minimum cut-out 2" x 2"

**#USD1:** All standard ordering sizes plus A, B, C, and D must be provided

**#USD2:** Custom



## Corner Drawer



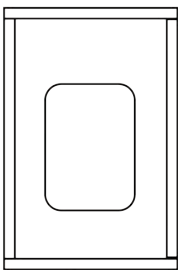
# Custom Drawer Boxes

## Trash Can Drawers

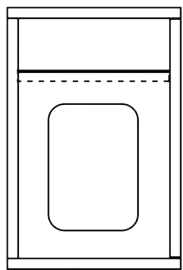
**#TC:** Indicate the Lid preference in the instruction area on order form.

- No Cut Out: lid as a 1/4" ply, 1/2" ply or 5/8" solid material
- Single Cut Out: lid as 1/4" ply, 1/2" ply or 5/8" face frame
- Double Cut Out: lid as 1/4" ply, 1/2" ply or 5/8" face frame

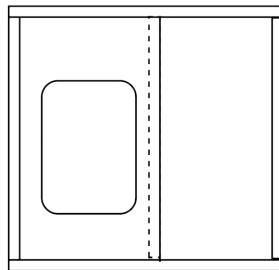
No waste cans provided.



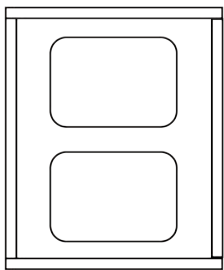
front



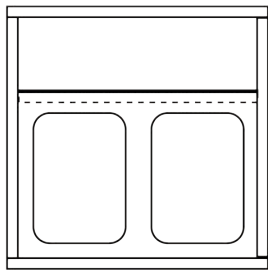
front



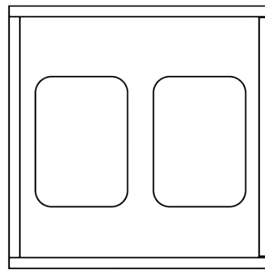
front



front



front



front

## Bread Box Drawer

**#BB1:** Standard dovetail drawer with 1/4" clear plexi glass sliding lid and 3/4" thumb pull

**#BB2:** Custom



## File Drawers

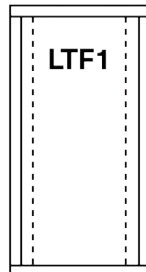
**Please indicate the configuration # when ordering.**

- Standard: file bar groove is 1/8"
- 1/2" down from the top edge-standard (1/2" bars)
- 1" down from the top edge- over 21" (1" bars)
- Minimum inside height is 9 1/2"
- Customizing is available

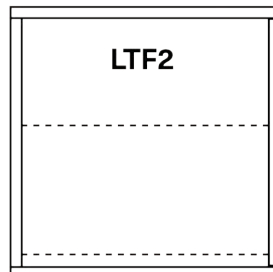
*Aluminum file bars included.*



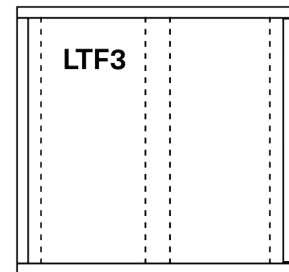
**Letter File Configuration (LTF):** minimum inside dimension is 13" (single) & 26 1/4" (double)



front

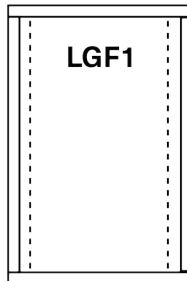


front

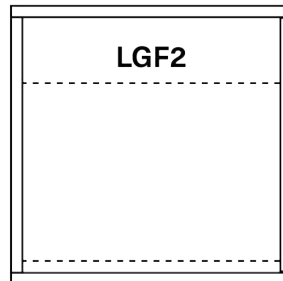


front

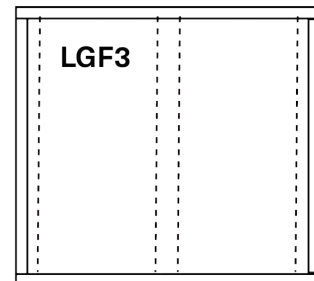
**Legal File Configuration (LGF):** minimum inside dimension is 16" (single) & 32 1/4" (double)



front

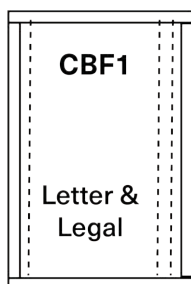


front

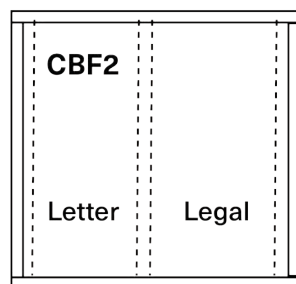


front

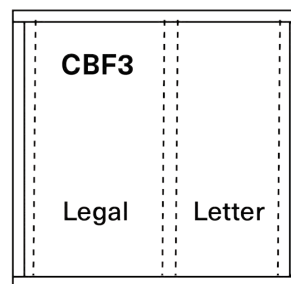
**Combination File Configuration (CBF):** minimum inside dimension is 29 1/4"



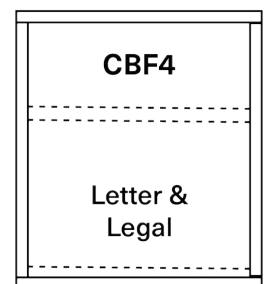
front



front



front



front

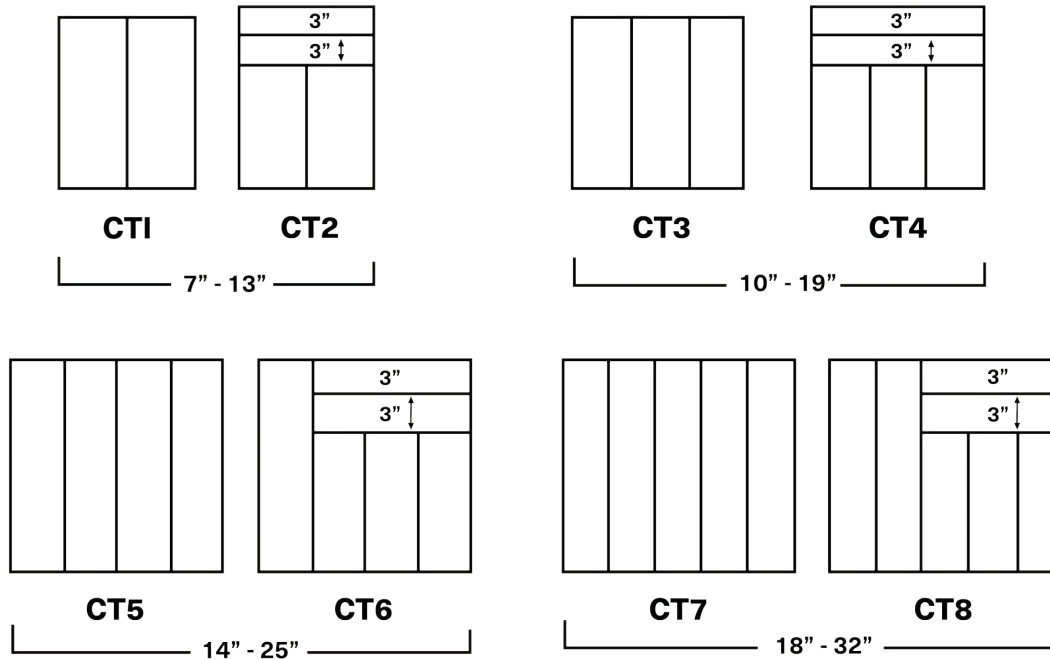




## Cutlery Tray Inserts

**Standard:** 3" overall height, sides and dividers are 3/8" thick with 1/4" plywood bottom

**#CT9:** Customizing is available as per customer's drawing



## Sliding Cutlery Tray



SCT1

**#SCT1:** Groove Design - 1 3/8" high top tray is grooved a 1/4" into the side of the main drawer

**#SCT2:** Slide Design - top tray is constructed 1 1/16" less in the width to receive hardware provided by the customer

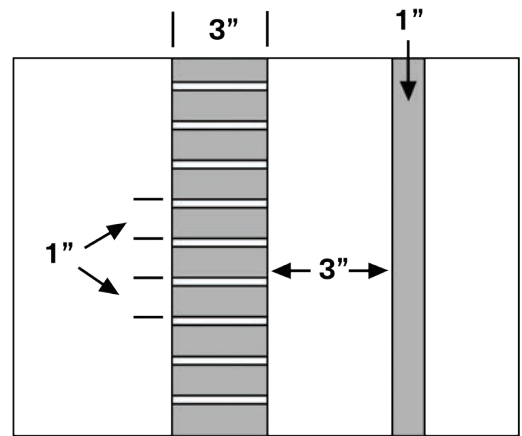
*- Top and Bottom tray design needs to be indicated.*

# Drawer Inserts

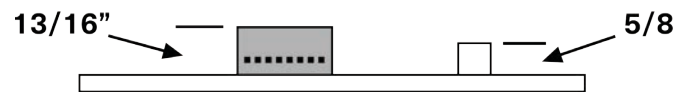
## Knife Block

**#KB1:** Designed to fit the requested drawer

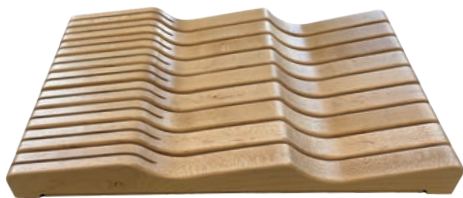
- 1/4" plywood bottom
- 13/16" solid wood saw kerfed to receive knife blade
- 5/8" x 1" knife handle rest
- 1/8" eased top edge



Top View



## Wavy Knife Block



**#WKB1:** Designed to fit requested drawer

- 1/4" plywood bottom
- 1" solid wood saw kerfed to receive knife blade on top, secondary knife to be placed between solid wood pieces below
- 1/8" eased top edge



## Double Stack Knife Block

**#DSKB1:** Designed to fit the requested drawer

- 1/4" plywood bottom
- 2 3/4" solid wood
- Saw kerfed 1" down to receive knife blade
- 5/8" x 1" knife handle rest
- 1/8" eased top edge





## Spice Tray

- #ST1: Four 1/2" solid wood to match sides x 1" high x 4 5/8" deep step shelves with 1/4" plywood bottom
- #ST2: Customized



## Plate Rack

- 3/4" birch ply with holes 2 1/2" apart
- 1" x 6" dowel pins with bottom tapered and metal pins that insert into the ply bottom

	<b>Widths</b>	
#PR1:	10" - 20"	8 dowel pins
#PR2:	21" - 30"	12 dowel pins
#PR3:	31" - 40"	16 dowel pins
#PR4:	41" - 50"	20 dowel pins



## Cutlery Adjustable Dividers

- #CAD1: Specify how many dividers.
- Adjustable 5/8" dividers are used in standard drawer
- Two rows of 3mm diameter holes drilled on fronts and backs
- Slots on each end of divider to slide over the metal pins. Customizing is available.

**Standard - running front to back**  
**Specify if wanting side to side**



# *Specialty Catalog*



## *Pull Out Design (POD)*

Standard POD units include base cabinet and tall cabinet units constructed as a standard drawer with or without a bottom (open on both sides).

Our design has dovetails on the top and bottom for maximum strength. Unit and shelves are 5/8" solid wood. Shelves are supported by 3mm nickel pins and plexiglass Z-shaped shelf support.

Under mount notching and shelf guards (A, B, or C) are available as shown.

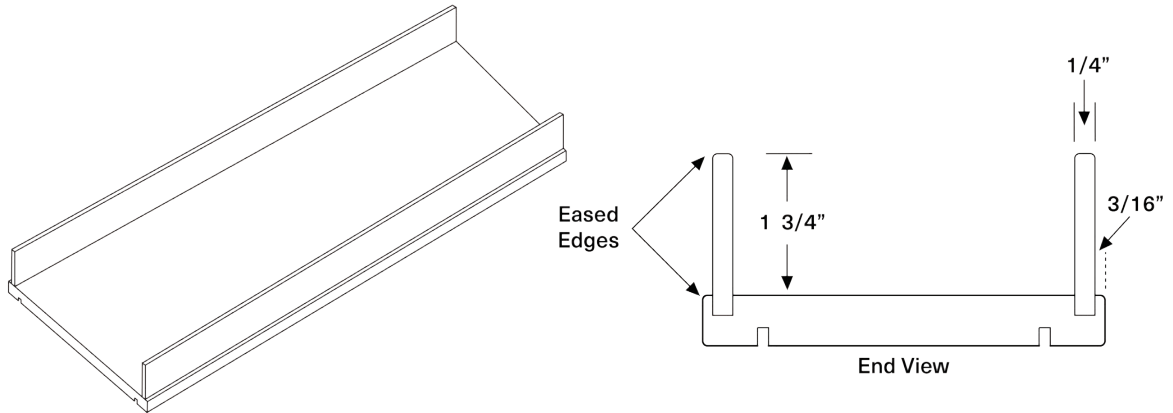
Specialty order forms for PODs should be used when submitting an order.



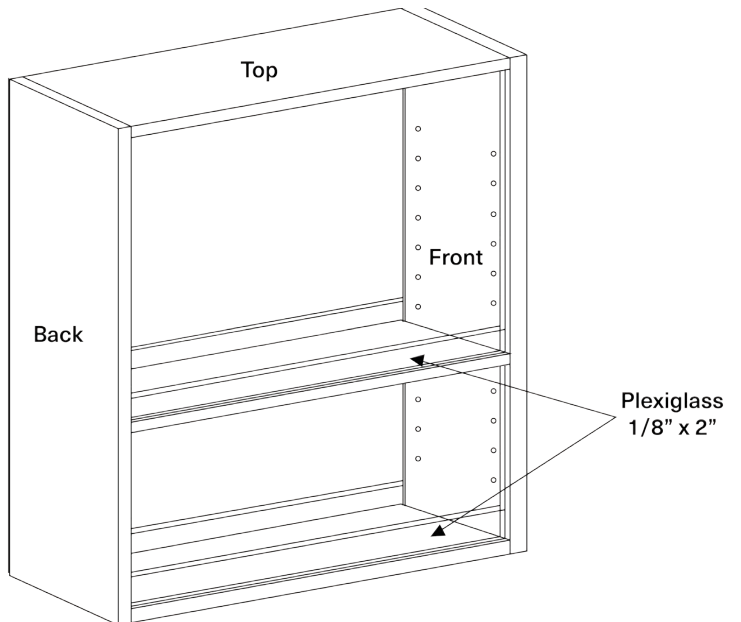


# Shelf Guards

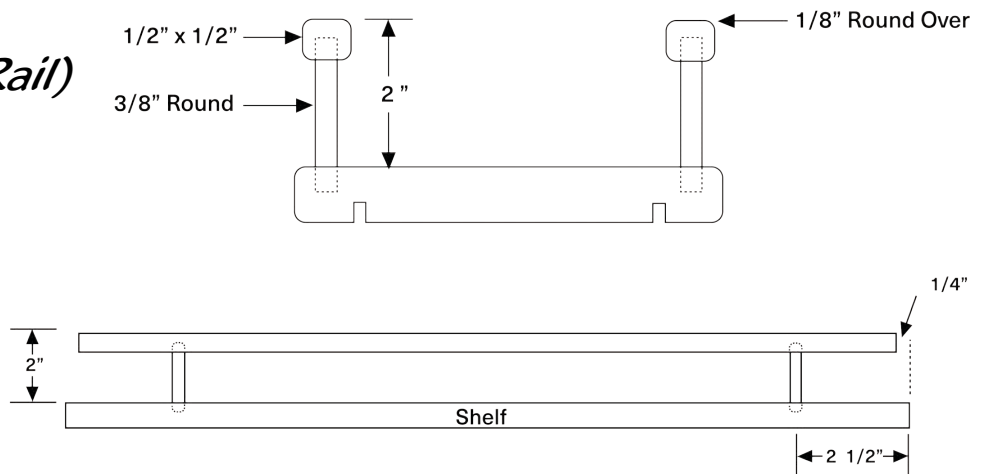
## Shelf Guard A (Solid Wood)



## Shelf Guard B (Plexiglass)



## Shelf Guard C (3/8" Dowel & 1/2" Rail)





Contact Name: \_\_\_\_\_ Phone: \_\_\_\_\_ Fax: \_\_\_\_\_

Company Name: \_\_\_\_\_

Order Date: \_\_\_\_\_

Job # / P.O.: \_\_\_\_\_

Finish Date: \_\_\_\_\_

Ship to: \_\_\_\_\_

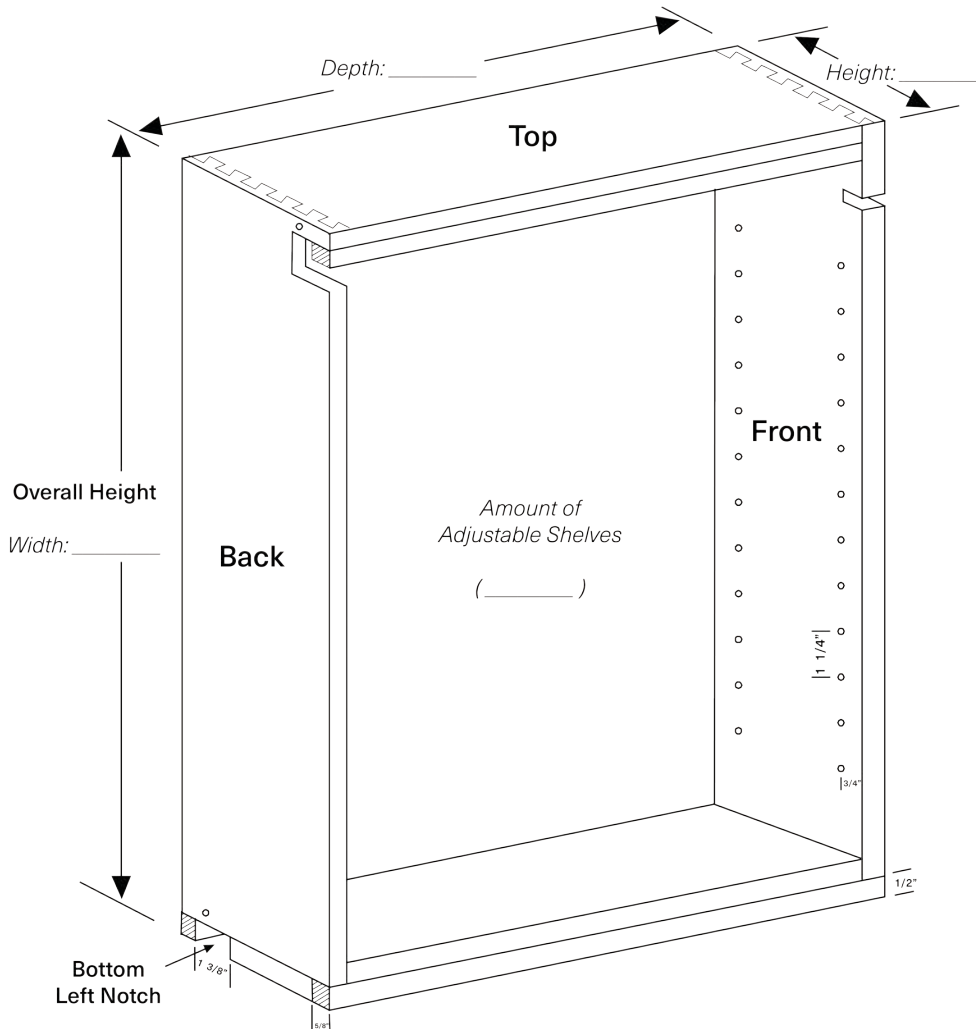
Comments:

Wood Species: \_\_\_\_\_  Finished  Unfinished

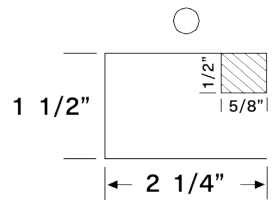
Back View Notches:  Top Left  Top Right  
 Bottom Left  Bottom Right  2 Bottom

Shelf Guard Style:  A  B  C

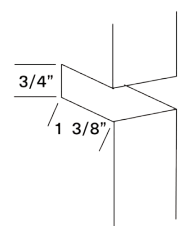
*Guards will be applied to all shelves*



Back Top Notch  
Right Side  
(as shown)



Top Front Notch  
(as shown)



Contact Name: \_\_\_\_\_ Phone: \_\_\_\_\_ Fax: \_\_\_\_\_

Company Name: \_\_\_\_\_ Order Date: \_\_\_\_\_

Job # / P.O.: \_\_\_\_\_ Finish Date: \_\_\_\_\_

Ship to: \_\_\_\_\_

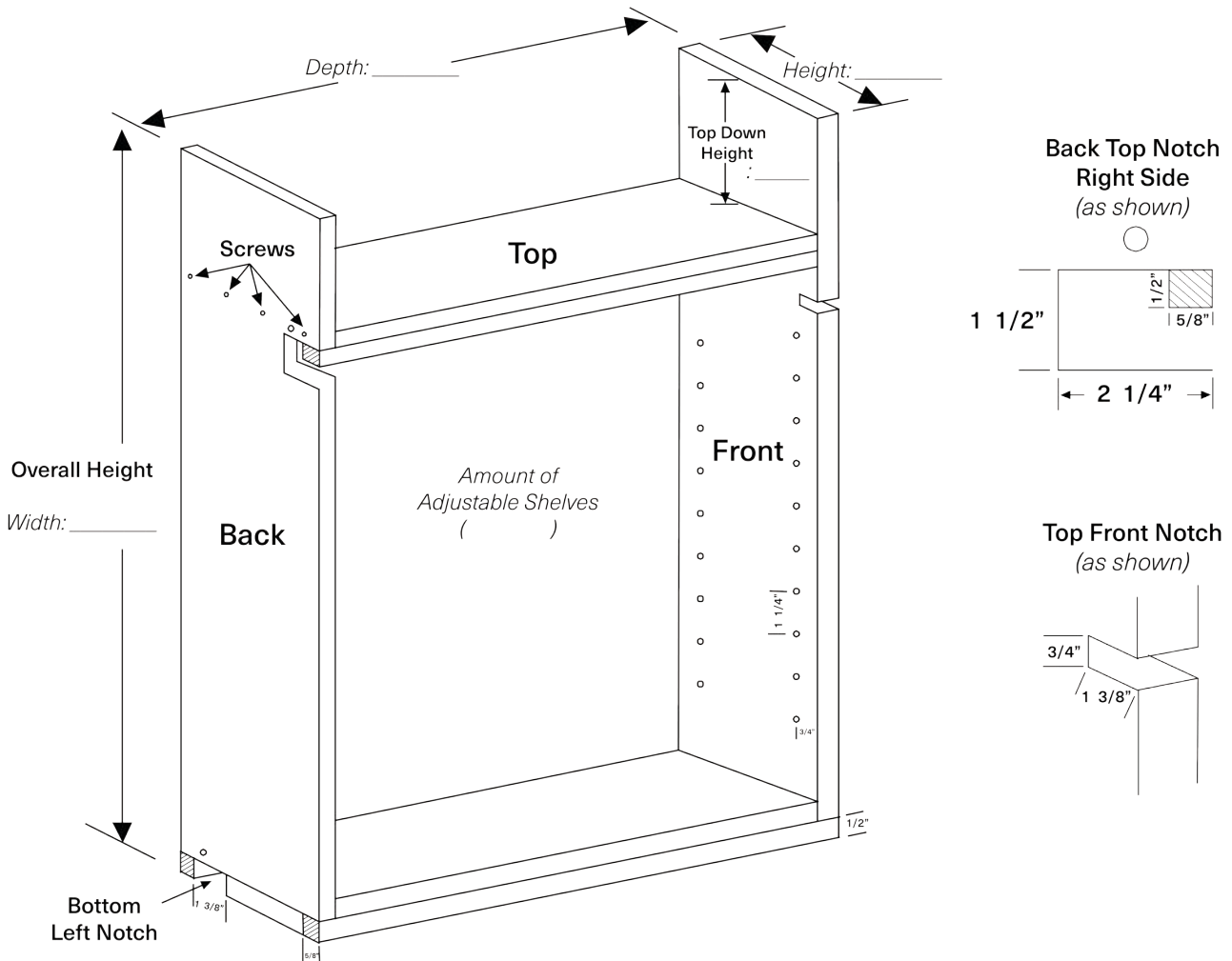
Comments:

Wood Species: \_\_\_\_\_  Finished  Unfinished

Back View Notches:  Top Left  Top Right  
 Bottom Left  Bottom Right  2 Bottom

Shelf Guard Style:  A  B  C

*Guards will be applied to all shelves*



Contact Name: \_\_\_\_\_ Phone: \_\_\_\_\_ Fax: \_\_\_\_\_

Company Name: \_\_\_\_\_

Order Date: \_\_\_\_\_

Job # / P.O.: \_\_\_\_\_

Finish Date: \_\_\_\_\_

Ship to: \_\_\_\_\_

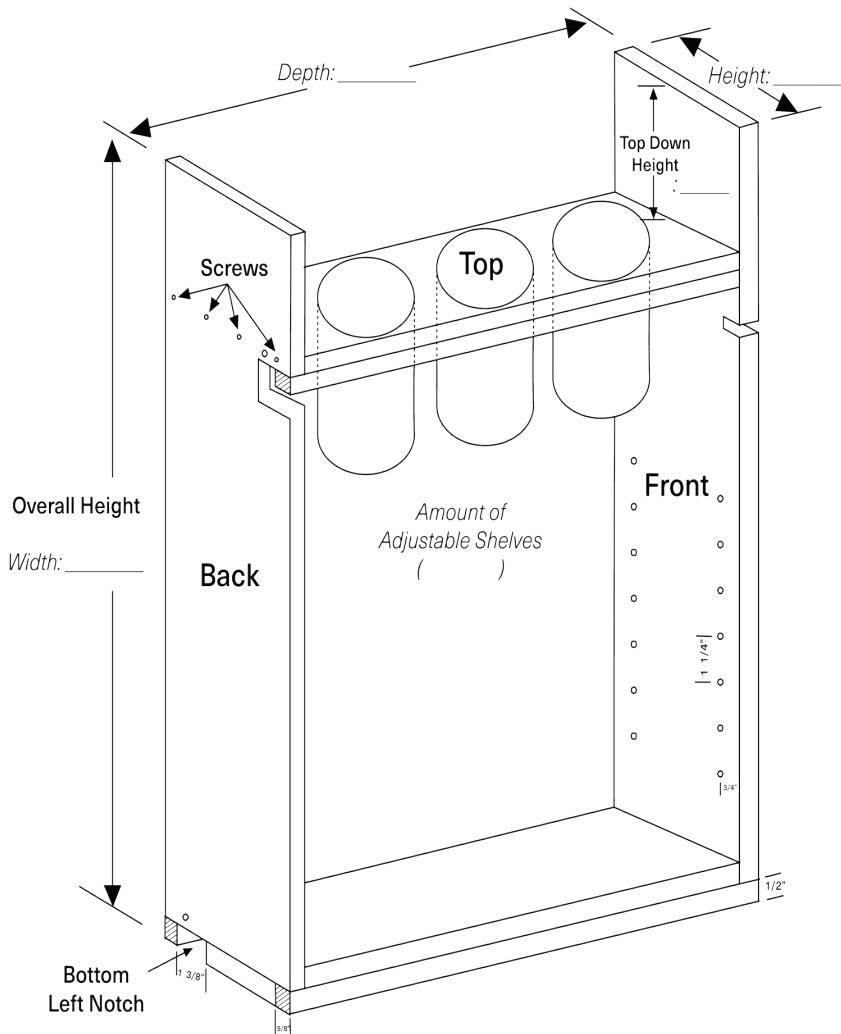
Comments:

Wood Species: \_\_\_\_\_  Finished  Unfinished

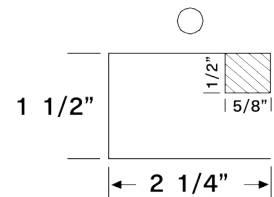
Back View Notches:  Top Left  Top Right  
 Bottom Left  Bottom Right  2 Bottom

Shelf Guard Style:  A  B  C

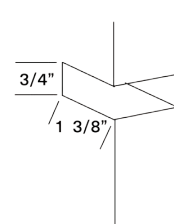
*Guards will be applied to all shelves*



**Back Top Notch**  
**Right Side**  
*(as shown)*



**Top Front Notch**  
*(as shown)*





# POD B w/ Canisters/Knife Block

3566 W Main St  
Belleville, PA 17004

Phone: 717-935-5088  
Fax: 717-935-5224

Contact Name: \_\_\_\_\_ Phone: \_\_\_\_\_ Fax: \_\_\_\_\_

Company Name: \_\_\_\_\_

Order Date: \_\_\_\_\_

Job # / P.O.: \_\_\_\_\_

Finish Date: \_\_\_\_\_

Ship to: \_\_\_\_\_

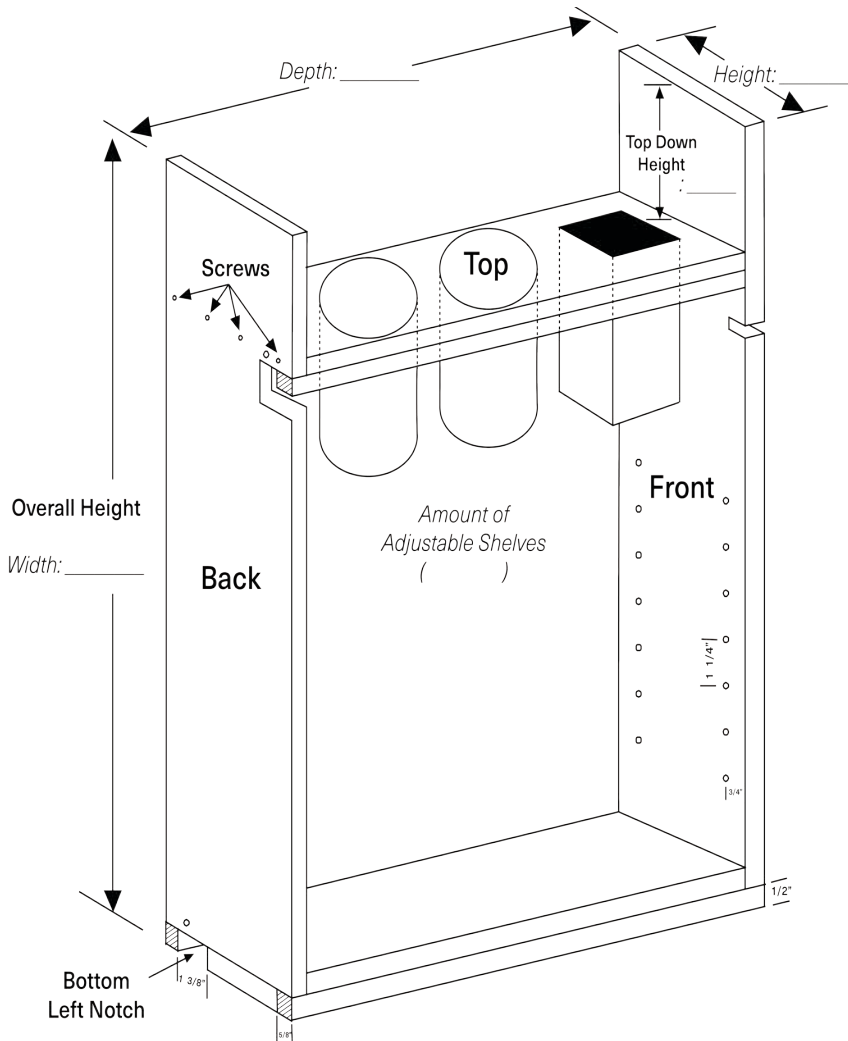
Comments:

Wood Species: \_\_\_\_\_  Finished  Unfinished

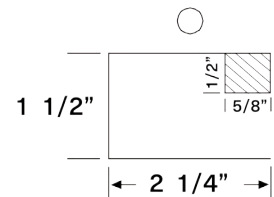
Back View Notches:  Top Left  Top Right  
 Bottom Left  Bottom Right  2 Bottom

Shelf Guard Style:  A  B  C

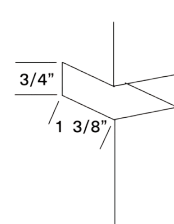
*Guards will be applied to all shelves*



**Back Top Notch**  
Right Side  
(as shown)



**Top Front Notch**  
(as shown)







POD C

3566 W Main St  
Belleville, PA 17004

Phone: 717-935-5088  
Fax: 717-935-5224

Contact Name: \_\_\_\_\_ Phone: \_\_\_\_\_ Fax: \_\_\_\_\_

Company Name: \_\_\_\_\_

Order Date: \_\_\_\_\_

Job # / P.O.: \_\_\_\_\_

Finish Date: \_\_\_\_\_

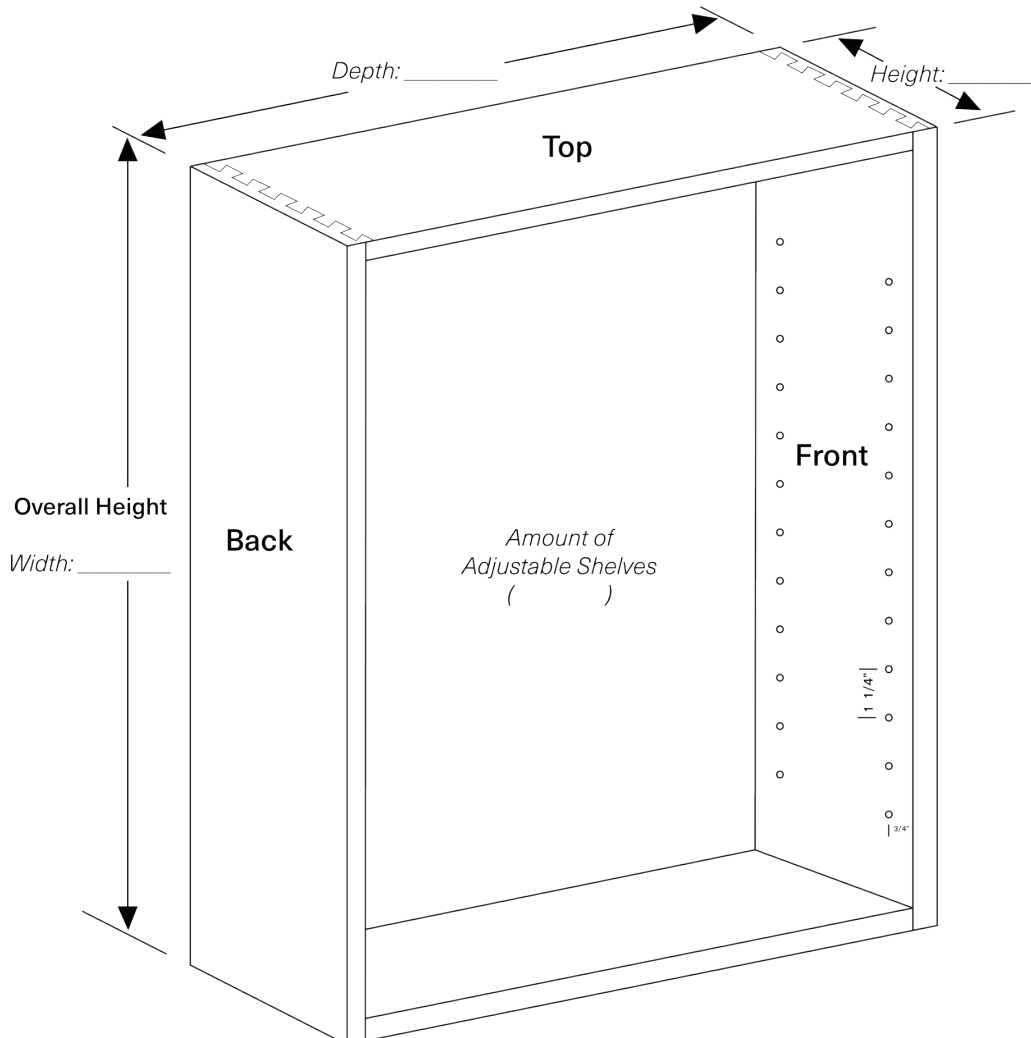
Ship to: \_\_\_\_\_

Comments:

Wood Species: \_\_\_\_\_  Finished  Unfinished

Shelf Guard Style:  A  B  C

*Guards will be applied to all shelves*





*Cookie Sheet POD*

3566 W Main St  
Belleville, PA 17004

Phone: 717-935-5088  
Fax: 717-935-5224

Contact Name: \_\_\_\_\_ Phone: \_\_\_\_\_ Fax: \_\_\_\_\_

Company Name: \_\_\_\_\_

Order Date: \_\_\_\_\_

Job # / P.O.: \_\_\_\_\_

Finish Date: \_\_\_\_\_

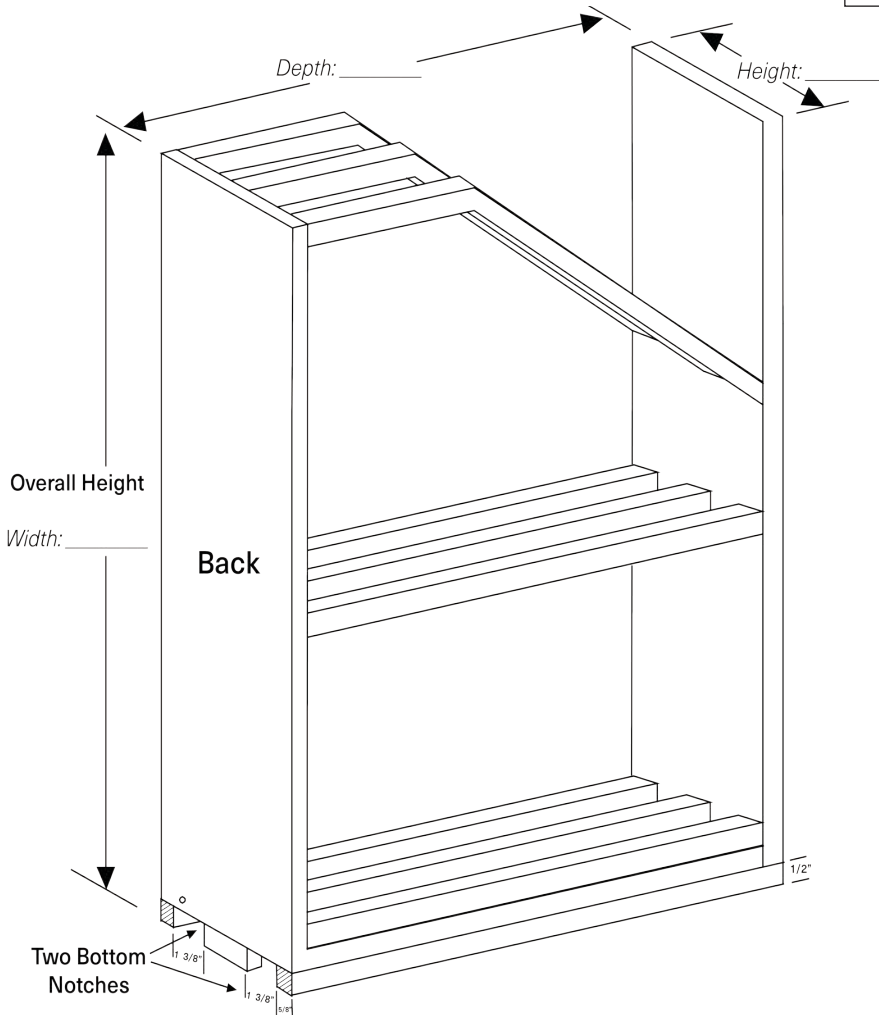
Ship to: \_\_\_\_\_

Comments:

Wood Species: \_\_\_\_\_  Finished  Unfinished

Number of rails: \_\_\_\_\_

Number of spaces: \_\_\_\_\_



Contact Name: \_\_\_\_\_ Phone: \_\_\_\_\_ Fax: \_\_\_\_\_

Company Name: \_\_\_\_\_

Order Date: \_\_\_\_\_

Job # / P.O.: \_\_\_\_\_

Finish Date: \_\_\_\_\_

Ship to: \_\_\_\_\_

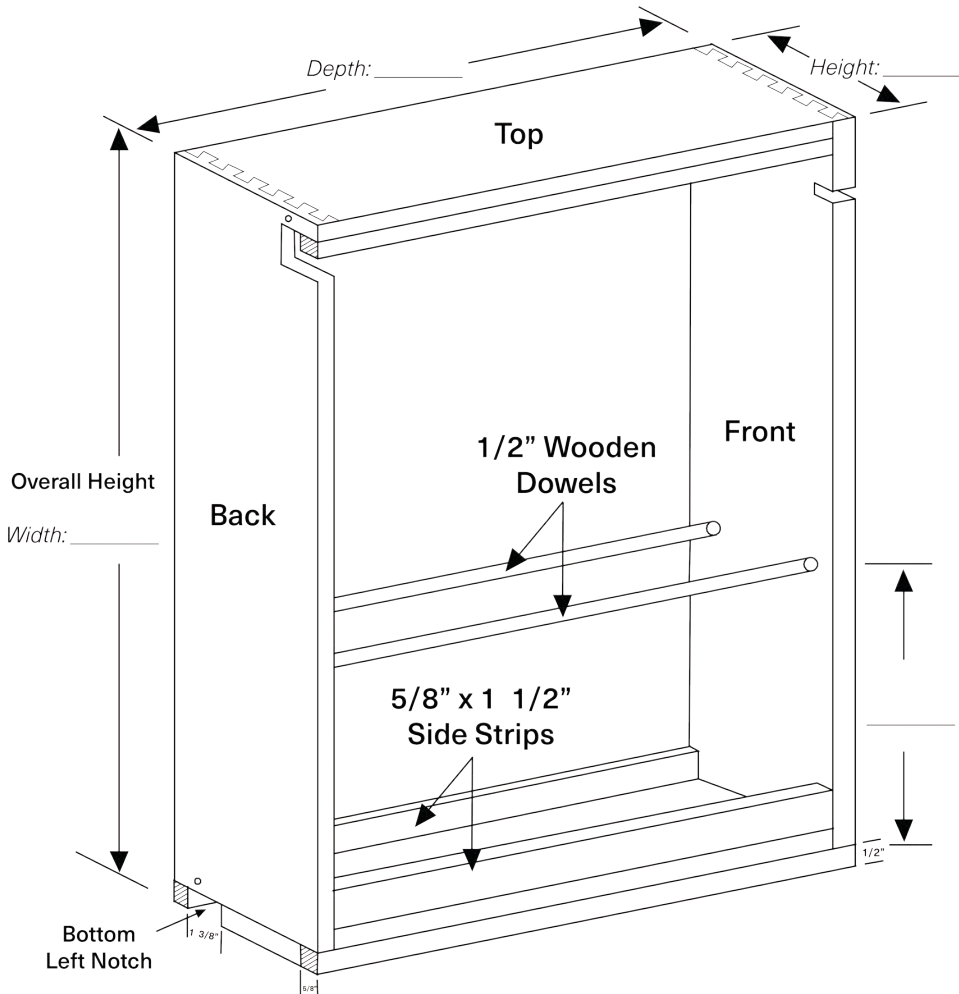
Comments:

Wood Species: \_\_\_\_\_  Finished  Unfinished

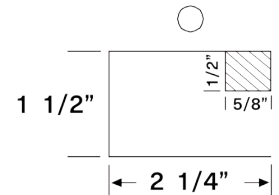
Back View Notches:  Top Left  Top Right  
 Bottom Left  Bottom Right  2 Bottom

Shelf Guard Style:  A  B  C

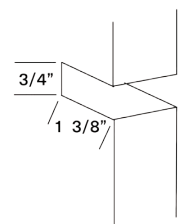
*Guards will be applied to all shelves*



Back Top Notch  
Right Side  
(as shown)



Top Front Notch  
(as shown)



Contact Name: \_\_\_\_\_ Phone: \_\_\_\_\_ Fax: \_\_\_\_\_

Company Name: \_\_\_\_\_

Order Date: \_\_\_\_\_

Job # / P.O.: \_\_\_\_\_

Finish Date: \_\_\_\_\_

Ship to: \_\_\_\_\_

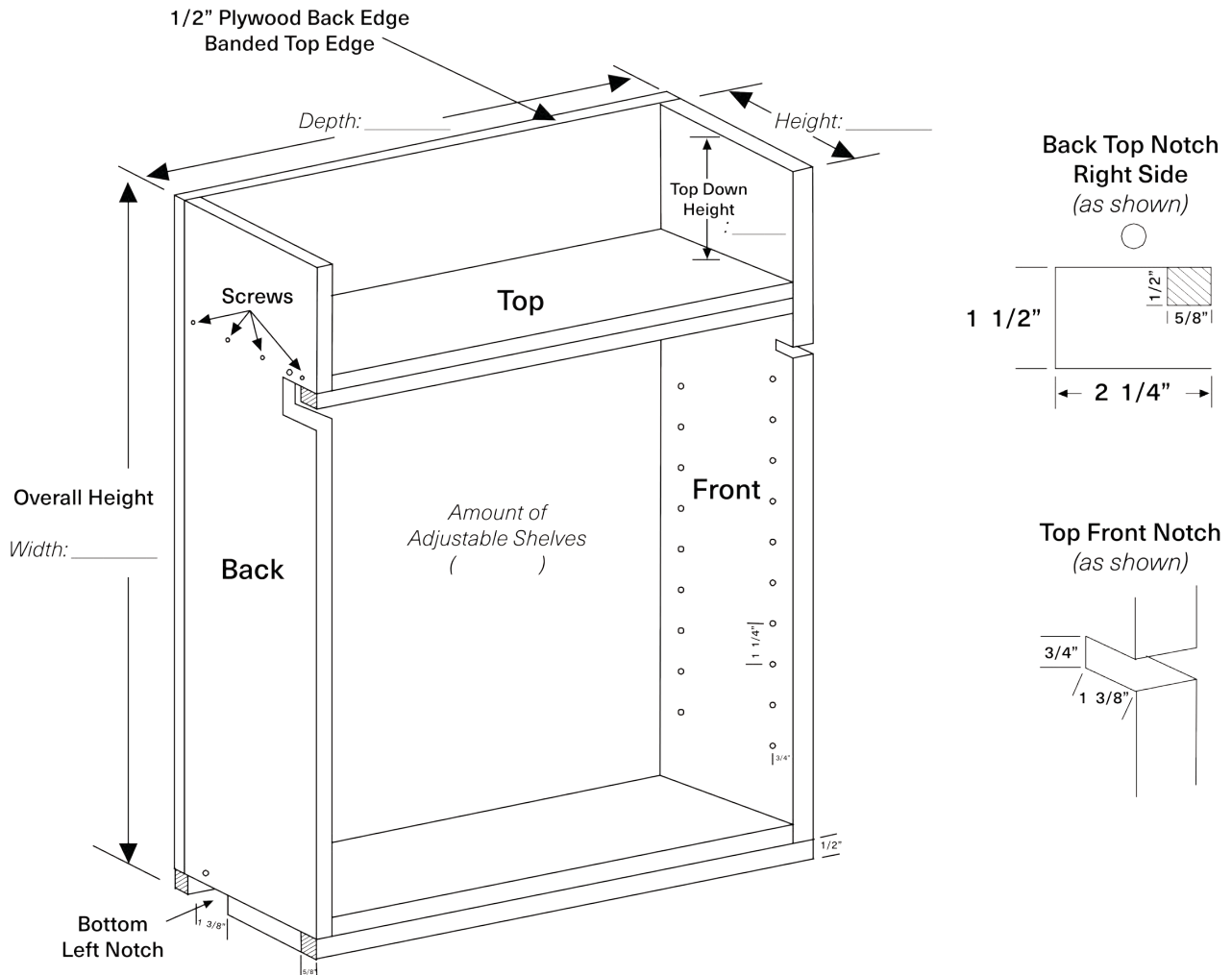
Comments:

Wood Species: \_\_\_\_\_  Finished  Unfinished

Back View Notches:  Top Left  Top Right  
 Bottom Left  Bottom Right  2 Bottom

Shelf Guard Style:  A  B  C

*Guards will be applied to all shelves*





Contact Name: \_\_\_\_\_ Phone: \_\_\_\_\_ Fax: \_\_\_\_\_

Company Name: \_\_\_\_\_

Order Date: \_\_\_\_\_

Job # / P.O.: \_\_\_\_\_

Finish Date: \_\_\_\_\_

Ship to: \_\_\_\_\_

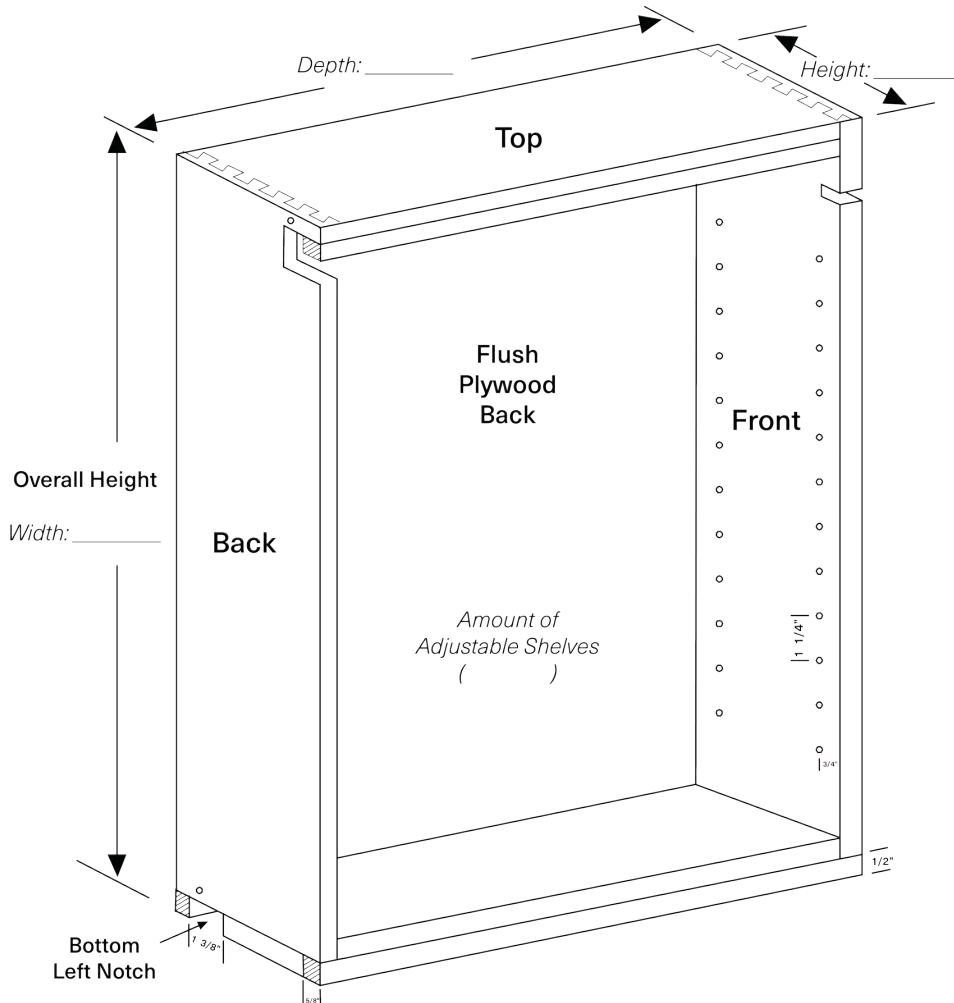
Comments:

Wood Species: \_\_\_\_\_  Finished  Unfinished

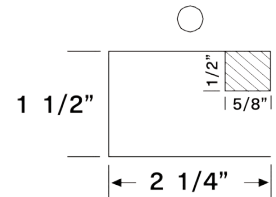
Back View Notches:  Top Left  Top Right  
 Bottom Left  Bottom Right  2 Bottom

Shelf Guard Style:  A  B  C

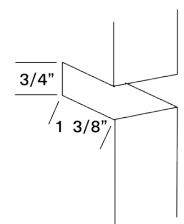
*Guards will be applied to all shelves*



Back Top Notch  
Right Side  
(as shown)



Top Front Notch  
(as shown)



Contact Name: \_\_\_\_\_ Phone: \_\_\_\_\_ Fax: \_\_\_\_\_

Company Name: \_\_\_\_\_

Order Date: \_\_\_\_\_

Job # / P.O.: \_\_\_\_\_

Finish Date: \_\_\_\_\_

Ship to: \_\_\_\_\_

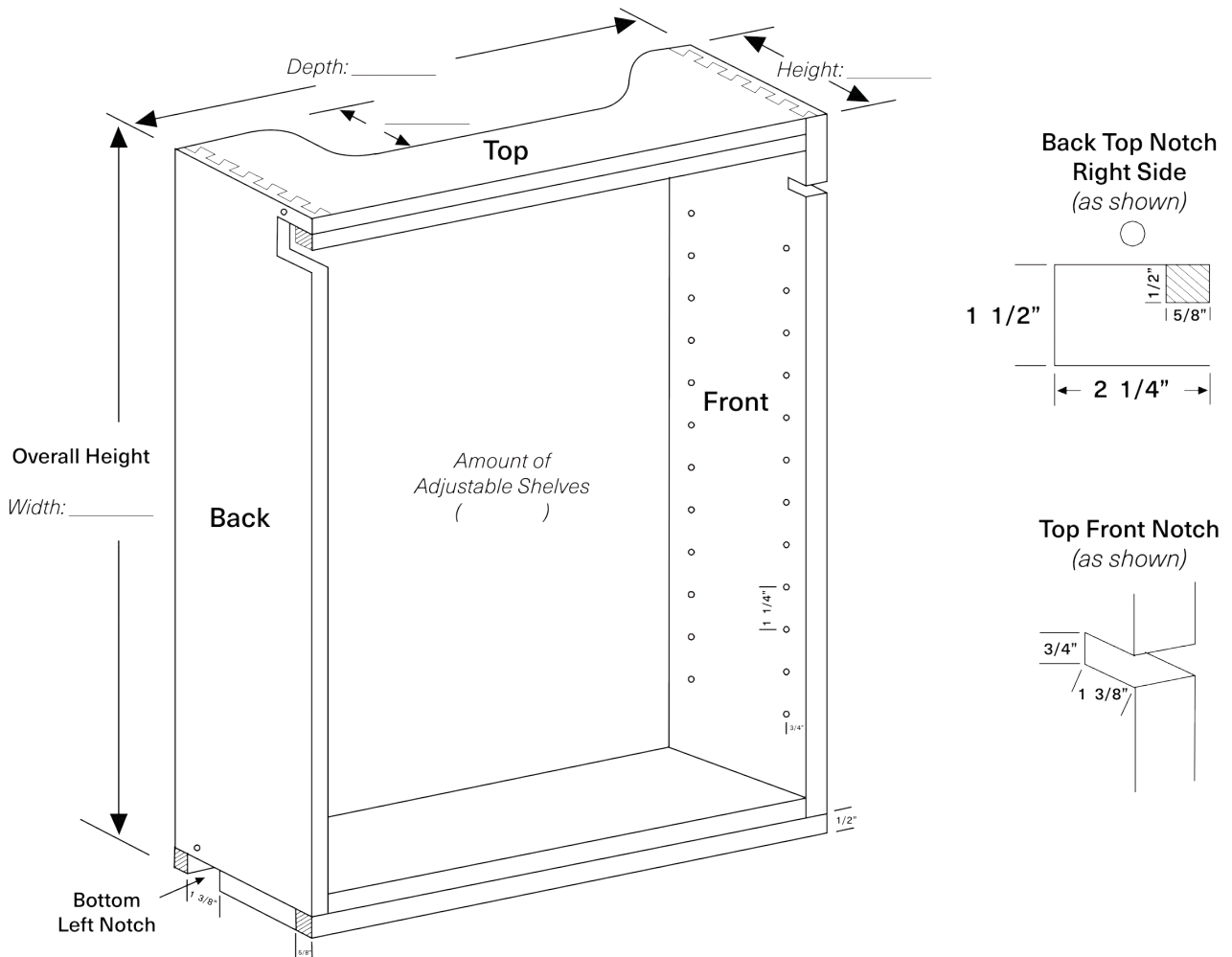
Comments:

Wood Species: \_\_\_\_\_  Finished  Unfinished

Back View Notches:  Top Left  Top Right  
 Bottom Left  Bottom Right  2 Bottom

Shelf Guard Style:  A  B  C

*Guards will be applied to all shelves*



Contact Name: \_\_\_\_\_ Phone: \_\_\_\_\_ Fax: \_\_\_\_\_

Company Name: \_\_\_\_\_

Order Date: \_\_\_\_\_

Job # / P.O.: \_\_\_\_\_

Finish Date: \_\_\_\_\_

Ship to: \_\_\_\_\_

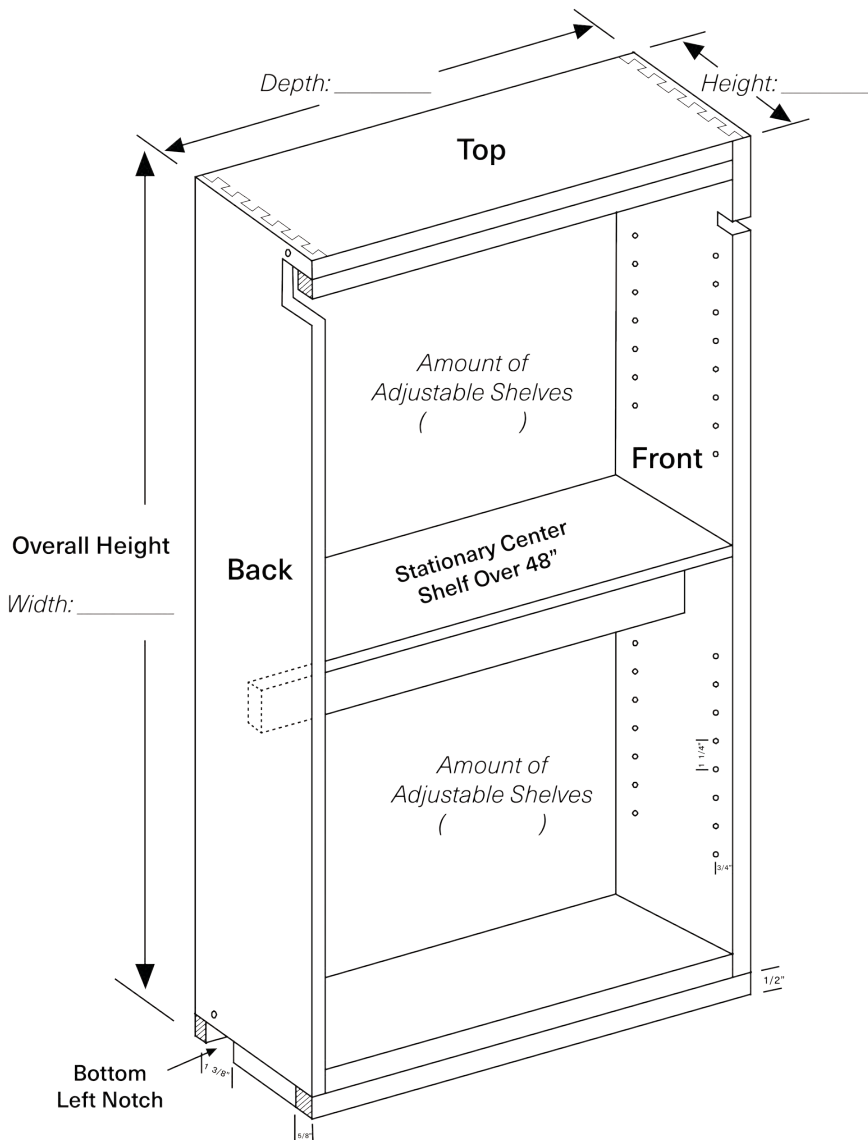
Comments:

Wood Species: \_\_\_\_\_  Finished  Unfinished

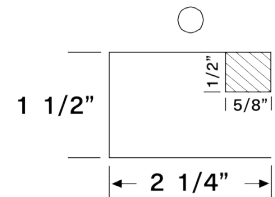
Back View Notches:  Top Left  Top Right  
 Bottom Left  Bottom Right  2 Bottom

Shelf Guard Style:  A  B  C

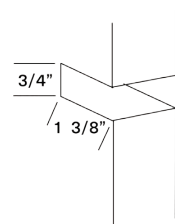
*Guards will be applied to all shelves*



**Back Top Notch  
Right Side  
(as shown)**



**Top Front Notch  
(as shown)**





3566 W Main St  
 Belleville, PA 17004

*Tall POD B*  
 Phone: 717-935-5088  
 Fax: 717-935-5224

Contact Name: \_\_\_\_\_ Phone: \_\_\_\_\_ Fax: \_\_\_\_\_

Company Name: \_\_\_\_\_

Order Date: \_\_\_\_\_

Job # / P.O.: \_\_\_\_\_

Finish Date: \_\_\_\_\_

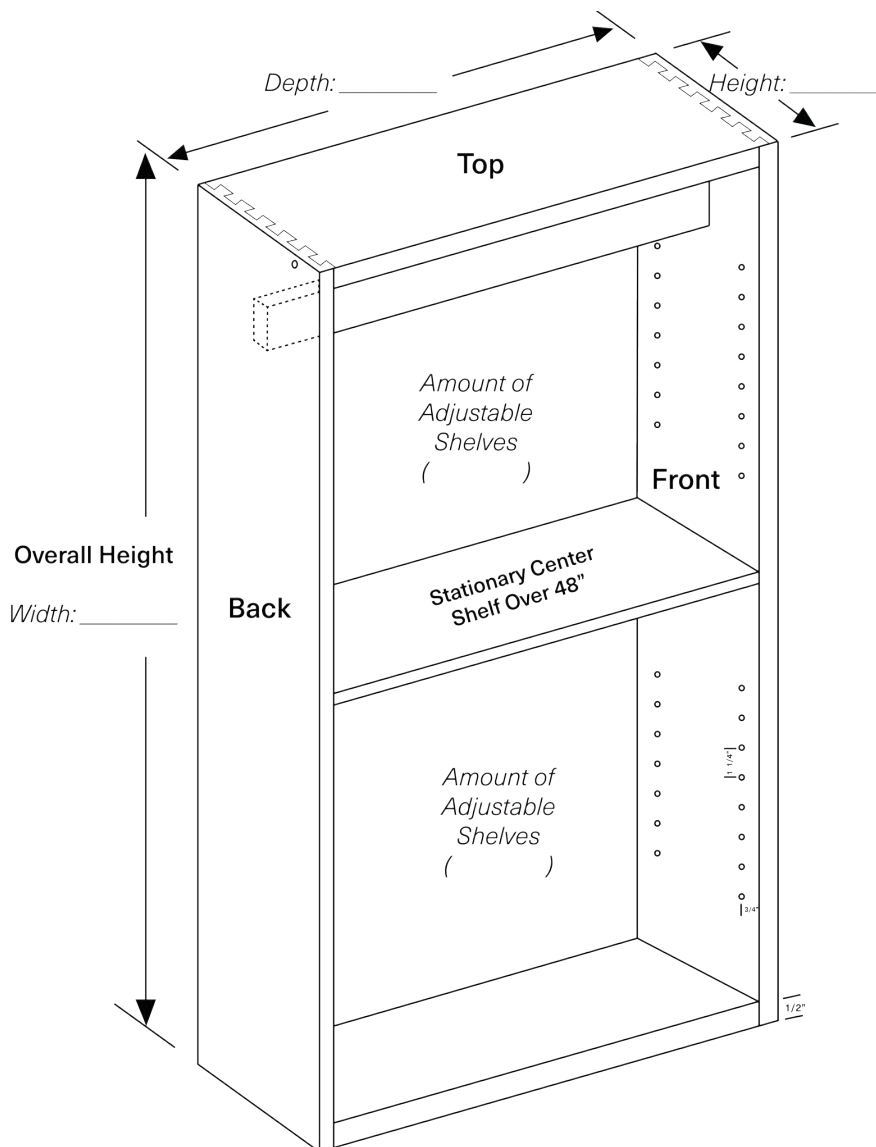
Ship to: \_\_\_\_\_

Comments:

Wood Species: \_\_\_\_\_  Finished  Unfinished

Shelf Guard Style:  A  B  C

*Guards will be applied to all shelves*





Contact Name: \_\_\_\_\_ Phone: \_\_\_\_\_ Fax: \_\_\_\_\_

Company Name: \_\_\_\_\_

Order Date: \_\_\_\_\_

Job # / P.O.: \_\_\_\_\_

Finish Date: \_\_\_\_\_

Ship to: \_\_\_\_\_

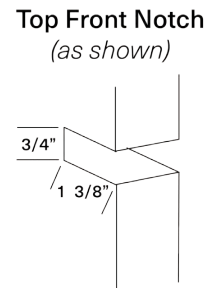
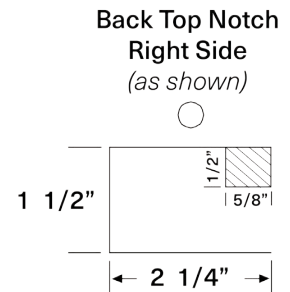
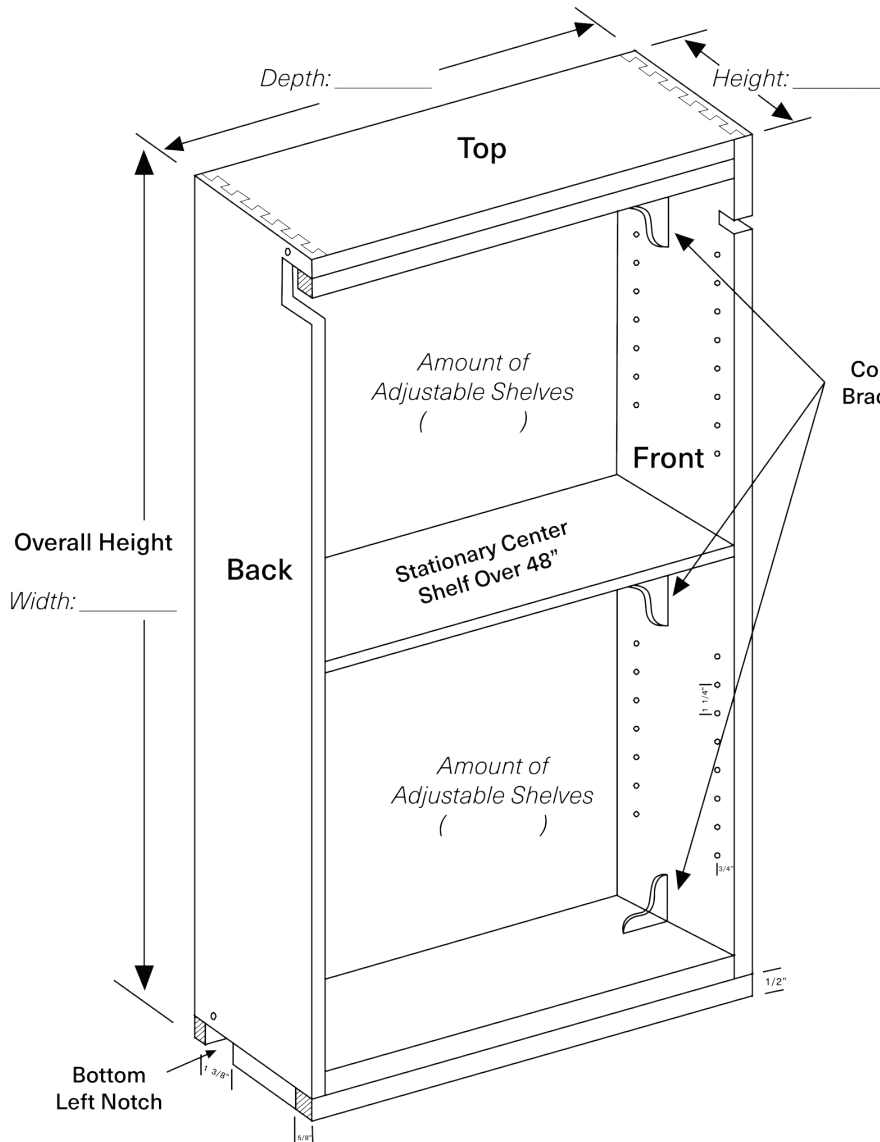
Comments:

Wood Species: \_\_\_\_\_  Finished  Unfinished

Back View Notches:  Top Left  Top Right  
 Bottom Left  Bottom Right  2 Bottom

Shelf Guard Style:  A  B  C

*Guards will be applied to all shelves*





# Door Mount Shelves

3566 W Main St  
Belleville, PA 17004

Phone: 717-935-5088  
Fax: 717-935-5224

Contact Name: \_\_\_\_\_ Phone: \_\_\_\_\_ Fax: \_\_\_\_\_

Company Name: \_\_\_\_\_

Order Date: \_\_\_\_\_

Job # / P.O.: \_\_\_\_\_

Finish Date: \_\_\_\_\_

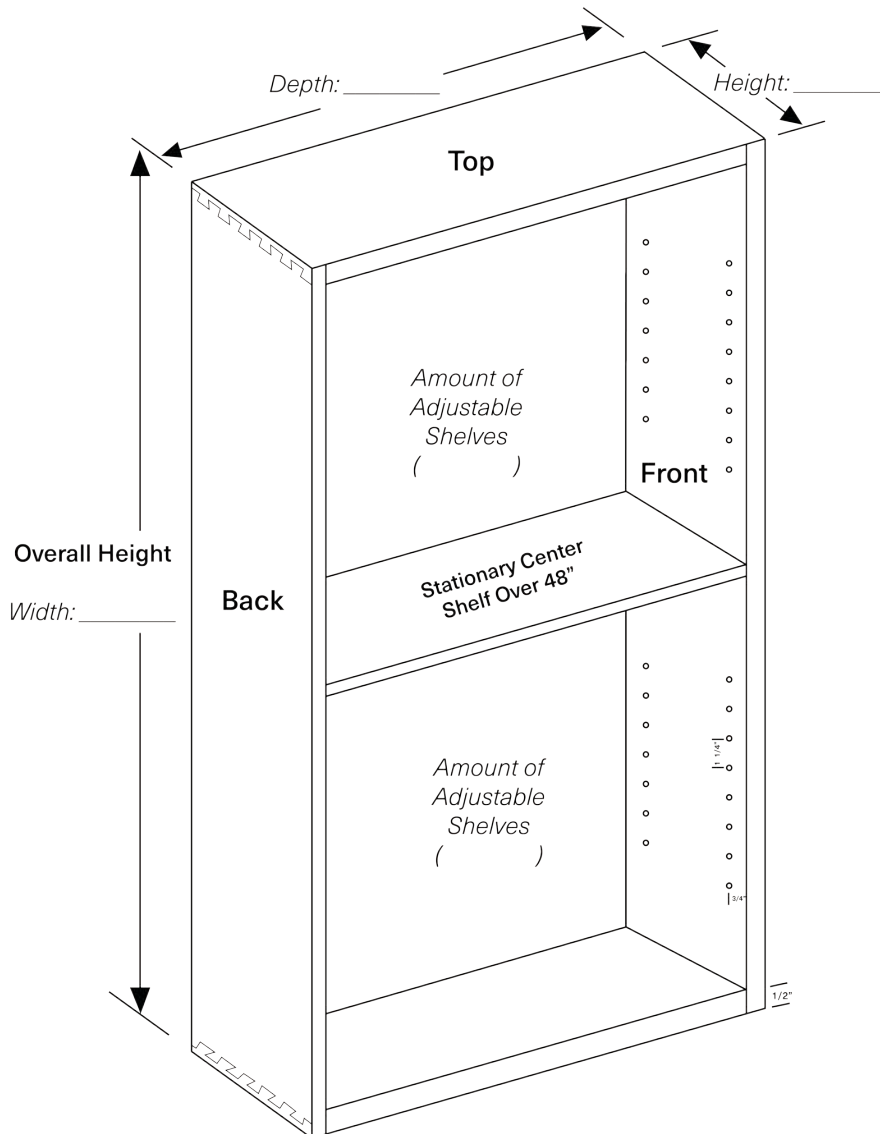
Ship to: \_\_\_\_\_

Comments:

Wood Species: \_\_\_\_\_  Finished  Unfinished

Shelf Guard Style:  A  B  C

*Guards will be applied to all shelves*





# U-Shape Drawer

3566 W Main St  
Belleville, PA 17004

Phone: 717-935-5088  
Fax: 717-935-5224

Contact Name: \_\_\_\_\_ Phone: \_\_\_\_\_ Fax: \_\_\_\_\_

Company Name: \_\_\_\_\_

Order Date: \_\_\_\_\_

Job # / P.O.: \_\_\_\_\_

Finish Date: \_\_\_\_\_

Ship to: \_\_\_\_\_

Comments:

Quantity: \_\_\_\_\_

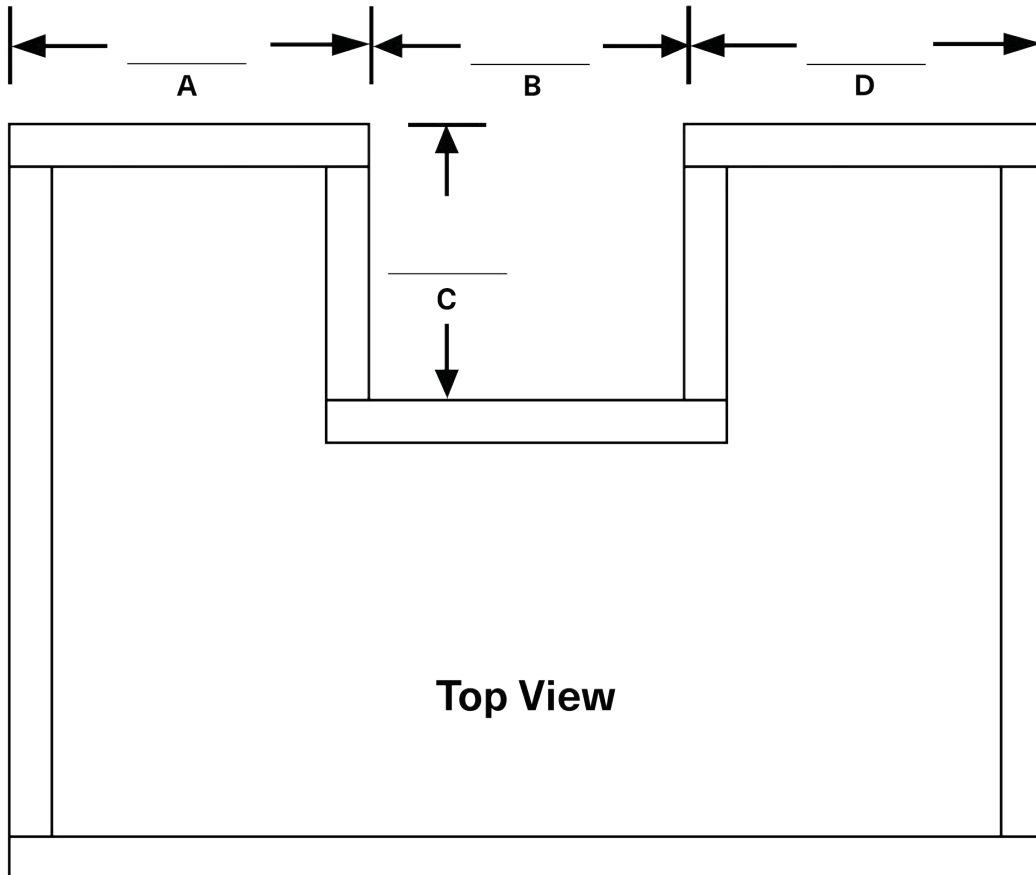
Wood Species: \_\_\_\_\_

Bottom Thickness:  1/4"  3/8"  1/2"

Bottom Inset:  1/4"  3/8"  1/2"  0"

Finish:  Finished  Unfinished

Notching:  Yes, Notch Size: \_\_\_\_\_  No Notching



Top View

Front



# Paper Towel Drawer

3566 W Main St  
Belleville, PA 17004

Phone: 717-935-5088  
Fax: 717-935-5224

Contact Name: \_\_\_\_\_ Phone: \_\_\_\_\_ Fax: \_\_\_\_\_

Company Name: \_\_\_\_\_

Order Date: \_\_\_\_\_

Job # / P.O.: \_\_\_\_\_

Finish Date: \_\_\_\_\_

Ship to: \_\_\_\_\_

Comments:

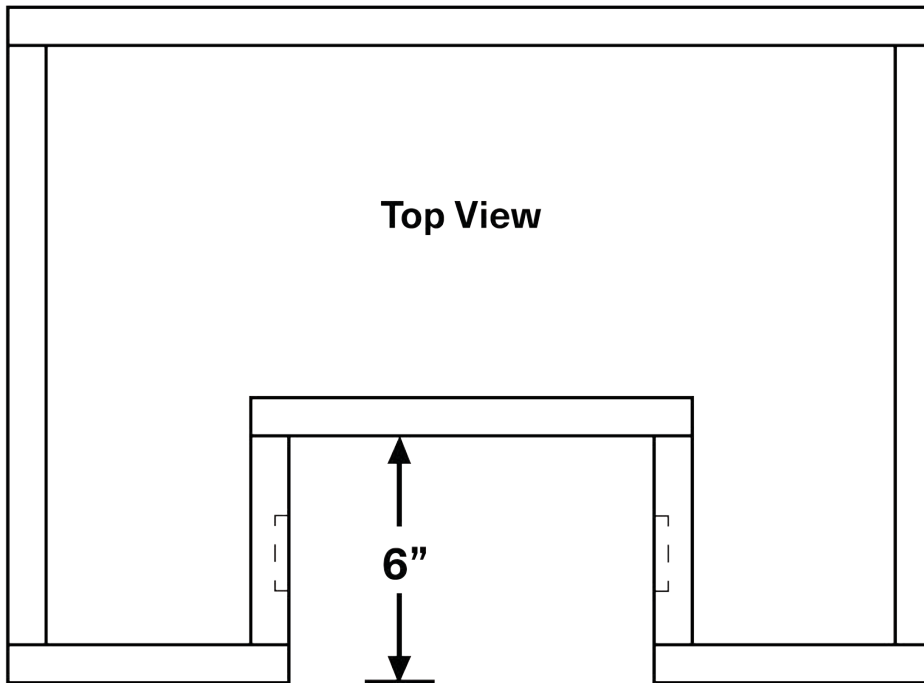
Wood Species: \_\_\_\_\_

Bottom Thickness:  1/4"  3/8"  1/2"

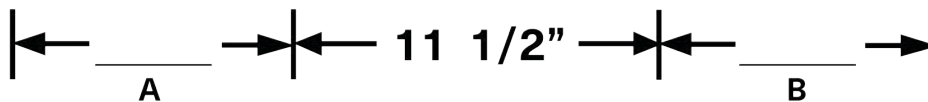
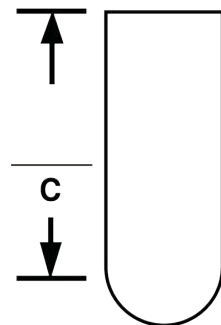
Bottom Inset:  1/4"  3/8"  1/2"  0"

Finish:  Finished  Unfinished

Notching:  Yes, Notch Size: \_\_\_\_\_  No Notching



**Dowel Size:**  
**1" or 1 1/4"**



**Front**





# Scalloped Drawer

3566 W Main St  
Belleville, PA 17004

Phone: 717-935-5088  
Fax: 717-935-5224

Contact Name: \_\_\_\_\_ Phone: \_\_\_\_\_ Fax: \_\_\_\_\_

Company Name: \_\_\_\_\_

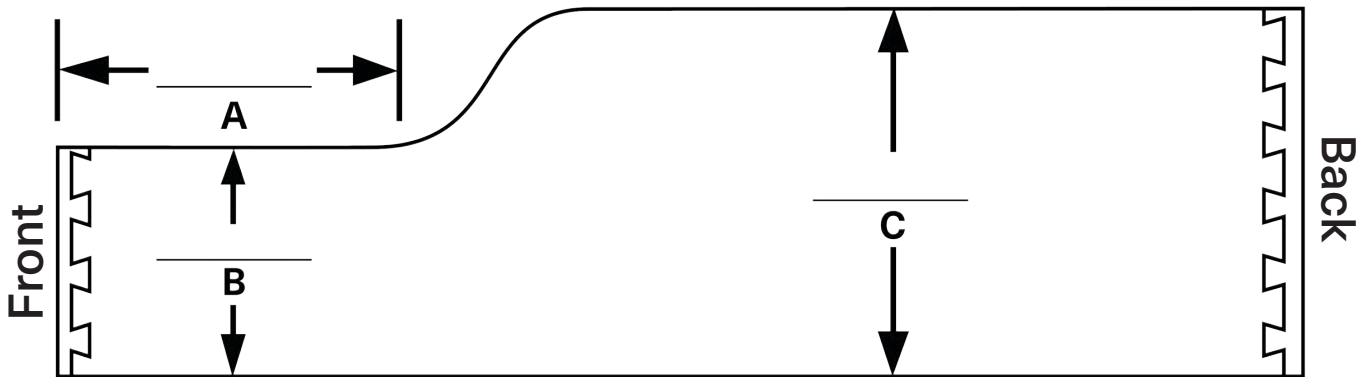
Order Date: \_\_\_\_\_

Job # / P.O.: \_\_\_\_\_

Finish Date: \_\_\_\_\_

Ship to: \_\_\_\_\_

Comments:





# Range Scalloped Drawer

3566 W Main St  
Belleville, PA 17004

Phone: 717-935-5088  
Fax: 717-935-5224

Contact Name: \_\_\_\_\_ Phone: \_\_\_\_\_ Fax: \_\_\_\_\_

Company Name: \_\_\_\_\_

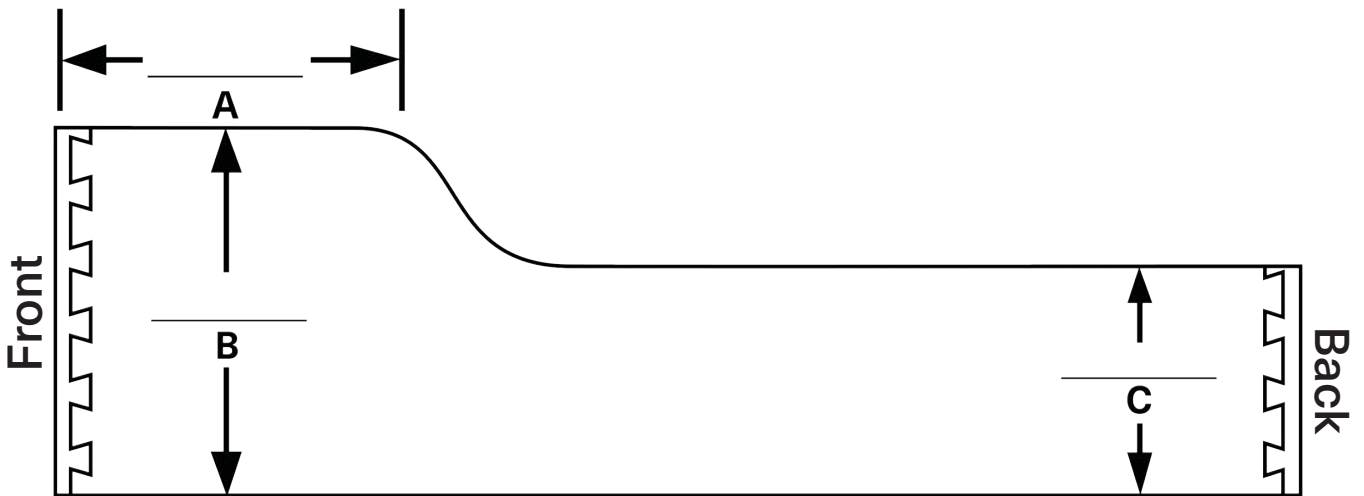
Order Date: \_\_\_\_\_

Job # / P.O.: \_\_\_\_\_

Finish Date: \_\_\_\_\_

Ship to: \_\_\_\_\_

Comments:



Contact Name: \_\_\_\_\_ Phone: \_\_\_\_\_ Fax: \_\_\_\_\_

Company Name: \_\_\_\_\_

Order Date: \_\_\_\_\_

Job # / P.O.: \_\_\_\_\_

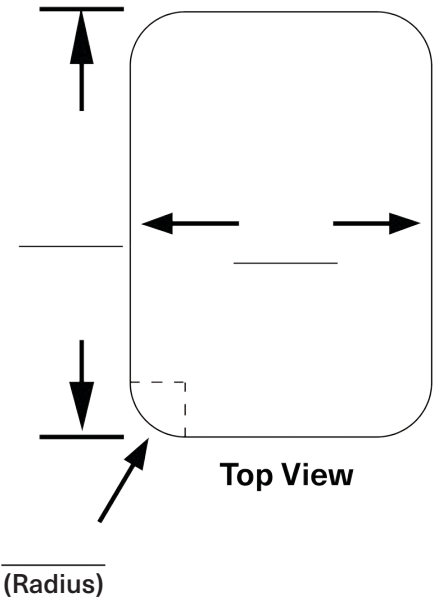
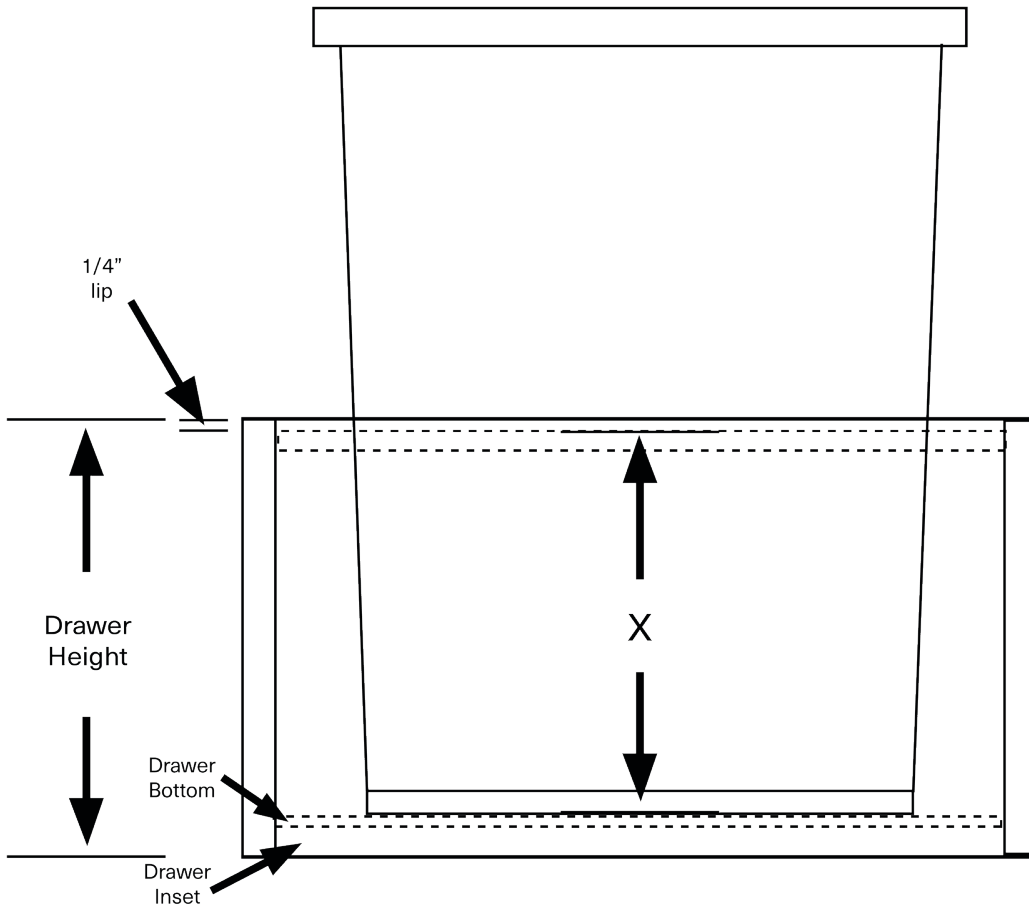
Finish Date: \_\_\_\_\_

Ship to: \_\_\_\_\_

Comments:

*Formula to calculate cutout size for trash can opening (x):*

$$\text{Drawer Height} - \text{Drawer Inset} - \text{Drawer Bottom} - \frac{1}{4}'' \text{ lip} = x$$



*\*Trash can cutouts will be centered front to back, and side to side.  
Unless otherwise noted.*

*Customized Items*



*Pilasters*

Two different styles offered

- Style A**
- Style B**



**Style A** is designed with holes drilled in the face for use with brackets (brackets not included).

**Style B** is designed with holes drilled on the edge.

13/16" Soft Maple, Hard Maple, Poplar and Beech are readily available.

Our standard sizes are:

- 1 1/4" x 20 7/8"
- 1 1/4" x 27 1/8"
- 1 1/4" x 58 5/8"
  
- 2 1/2" x 20 7/8"
- 2 1/2" x 27 1/8"
- 2 1/2" x 58 5/8"

Price for pilasters are based off of per piece.

Customization is available upon request.



*Style A*

*Style B*

*West Earl Industries: Quality fixtures of Lazy Susan components*



## *Policies & Procedures*

### ***Orders or Quotes***

Online/email/fax/phone orders or quotes will be confirmed by fax or email. Find online ordering and order forms on [www.bigvalleywoodproducts.com](http://www.bigvalleywoodproducts.com) and click order form. If you do not receive an acknowledgement or quote within 24 hours, please call.

### ***Shipping Methods***

Big Valley Wood Products or common carrier

### ***Payment***

Prepay until credit is approved. Receive a 2% discount if paid within 10 days of invoice upon credit approval. (Discount does not apply if there are outstanding invoices). Net 30 days. 1.5% to every 30 days past due. All major credit cards are accepted. If your account is inactive for 18 months, you will need to re-apply for credit.

### ***Product Satisfaction***

Unsatisfactory product will be replaced at no cost within a reasonable tolerance.