



3566 W Main St  
 Belleville, PA 17004

*POD D*  
 Phone: 717-935-5088  
 Fax: 717-935-5224

Contact Name: \_\_\_\_\_ Phone: \_\_\_\_\_ Fax: \_\_\_\_\_

Company Name: \_\_\_\_\_

Order Date: \_\_\_\_\_

Job # / P.O.: \_\_\_\_\_

Finish Date: \_\_\_\_\_

Ship to: \_\_\_\_\_

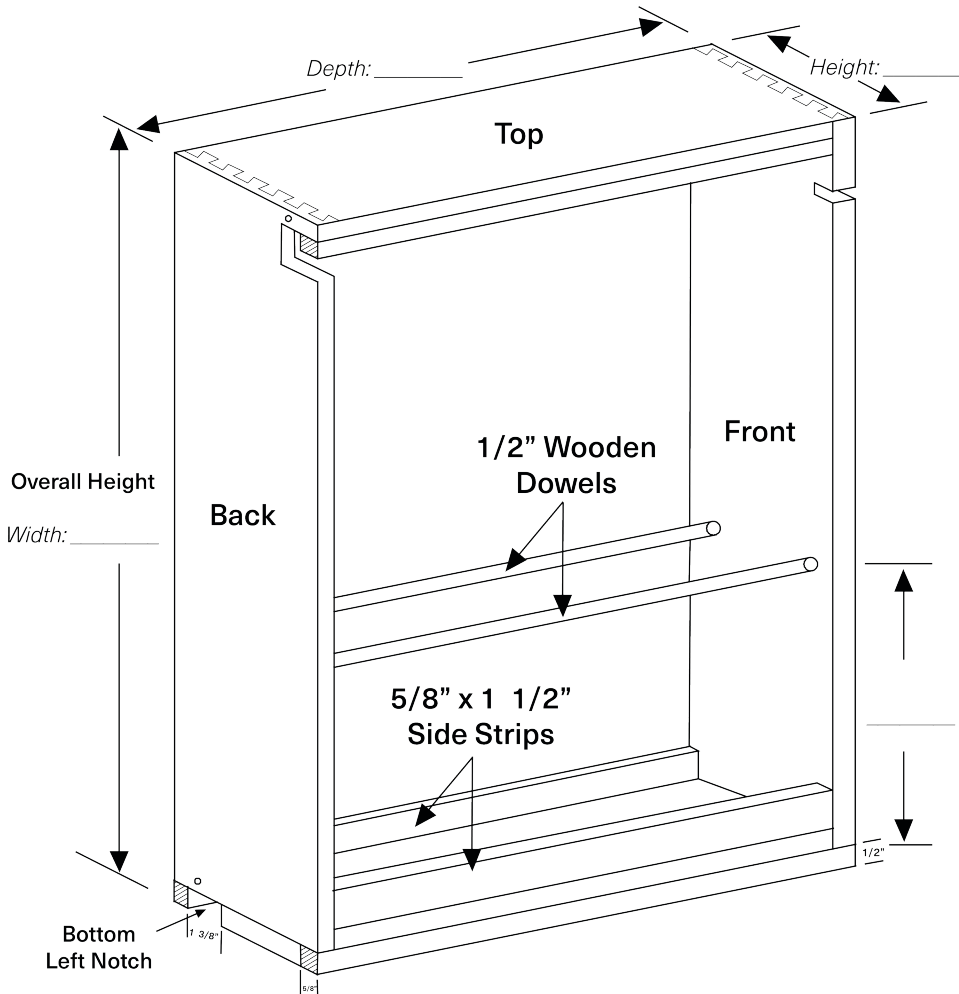
Comments:

Wood Species: \_\_\_\_\_  Finished  Unfinished

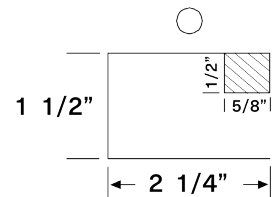
Back View Notches:  Top Left  Top Right  
 Bottom Left  Bottom Right  2 Bottom

Shelf Guard Style:  A  B  C

*Guards will be applied to all shelves*



**Back Top Notch  
 Right Side  
 (as shown)**



**Top Front Notch  
 (as shown)**

